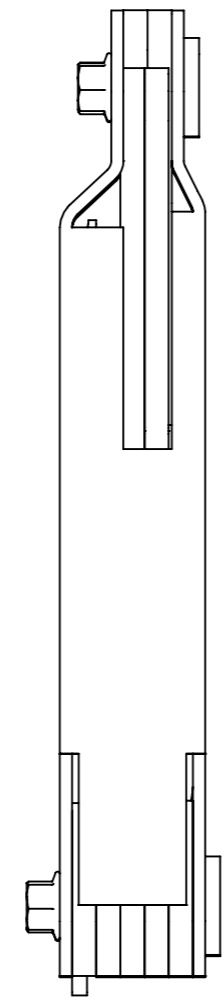
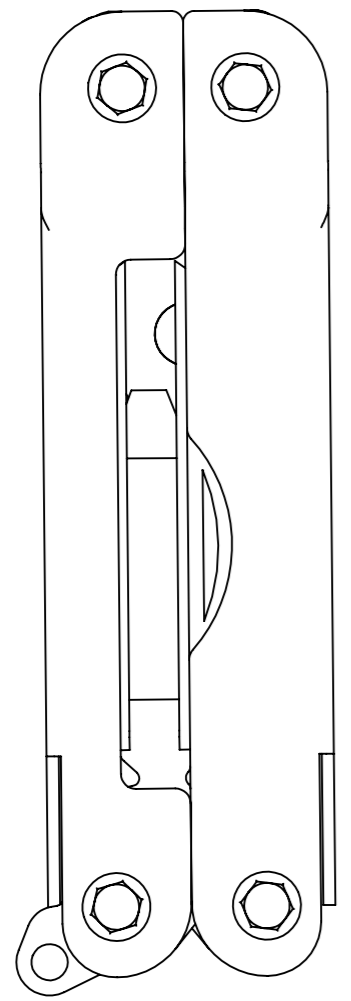
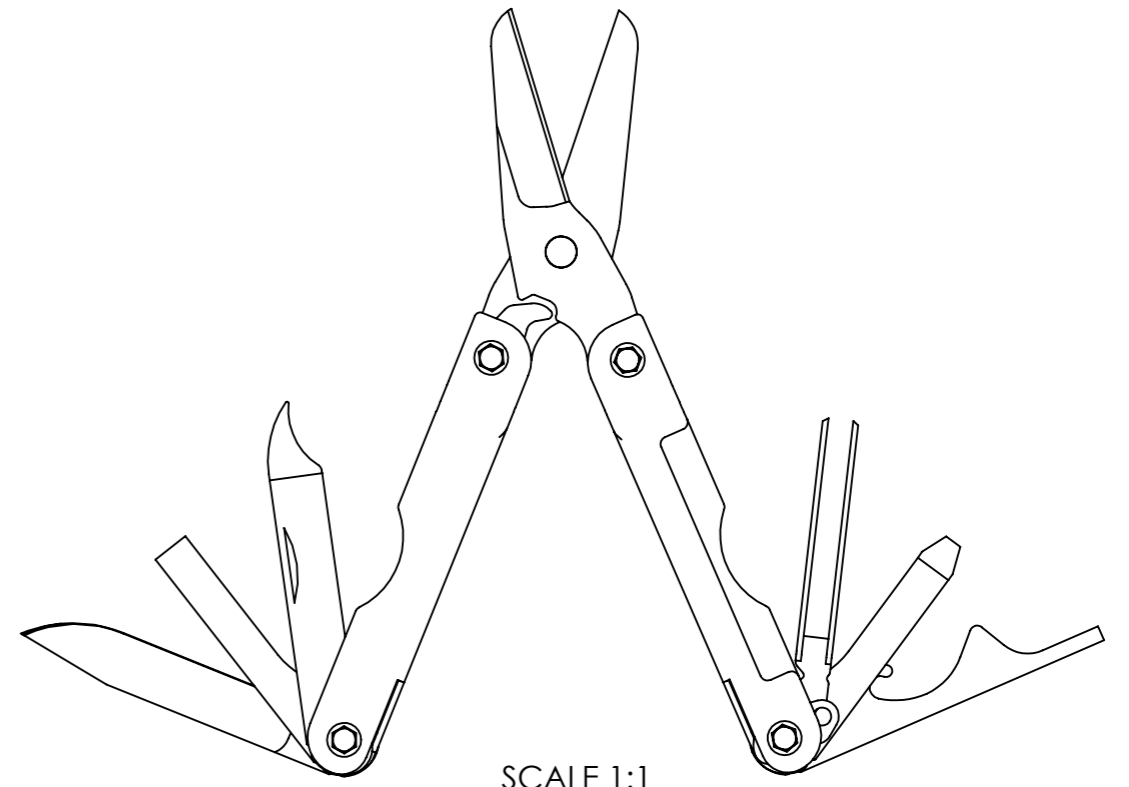
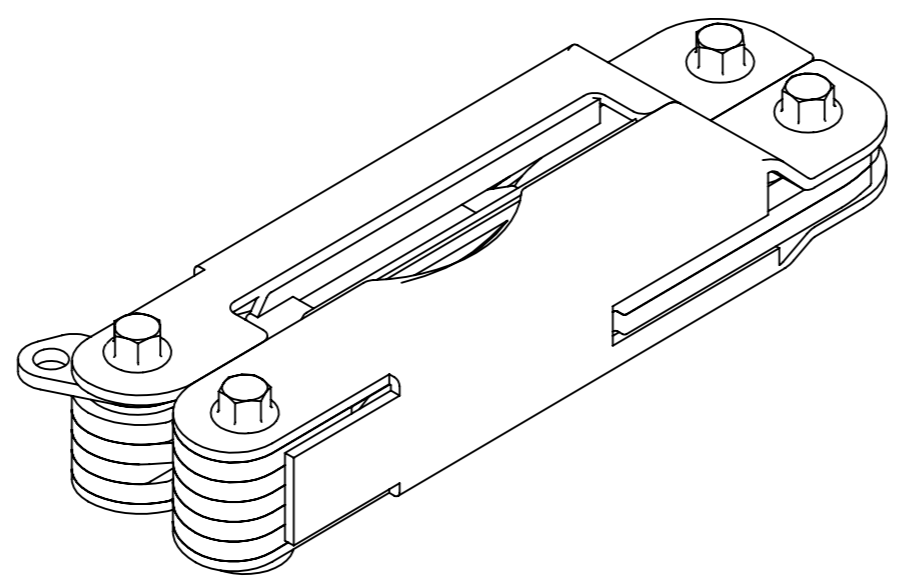
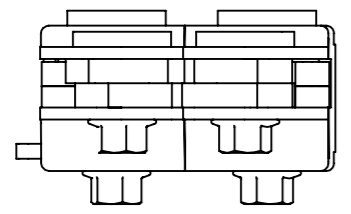


8 7 6 5 4 3 2 1

F
E
D
C
B
A

F
E
D
C
B
A



UNLESS OTHERWISE SPECIFIED: DIMENSIONS ARE IN MILLIMETERS SURFACE FINISH: TOLERANCES: LINEAR: ANGULAR:			FINISH:		DEBURR AND BREAK SHARP EDGES		DO NOT SCALE DRAWING		REVISION			
							SAM LOMBARDI					
							TITLE: FULL ASSEMBLY					
							DWG NO. MICRA				A3	
							WEIGHT:		SCALE:2:1		SHEET 1 OF 13	
DRAWN	NAME	SIGNATURE	DATE									
CHK'D												
APPV'D												
MFG												
Q.A												

8 7 6 5 4 3 2 1

8 7 6 5 4 3 2 1

F

F

E

E

D

D

C

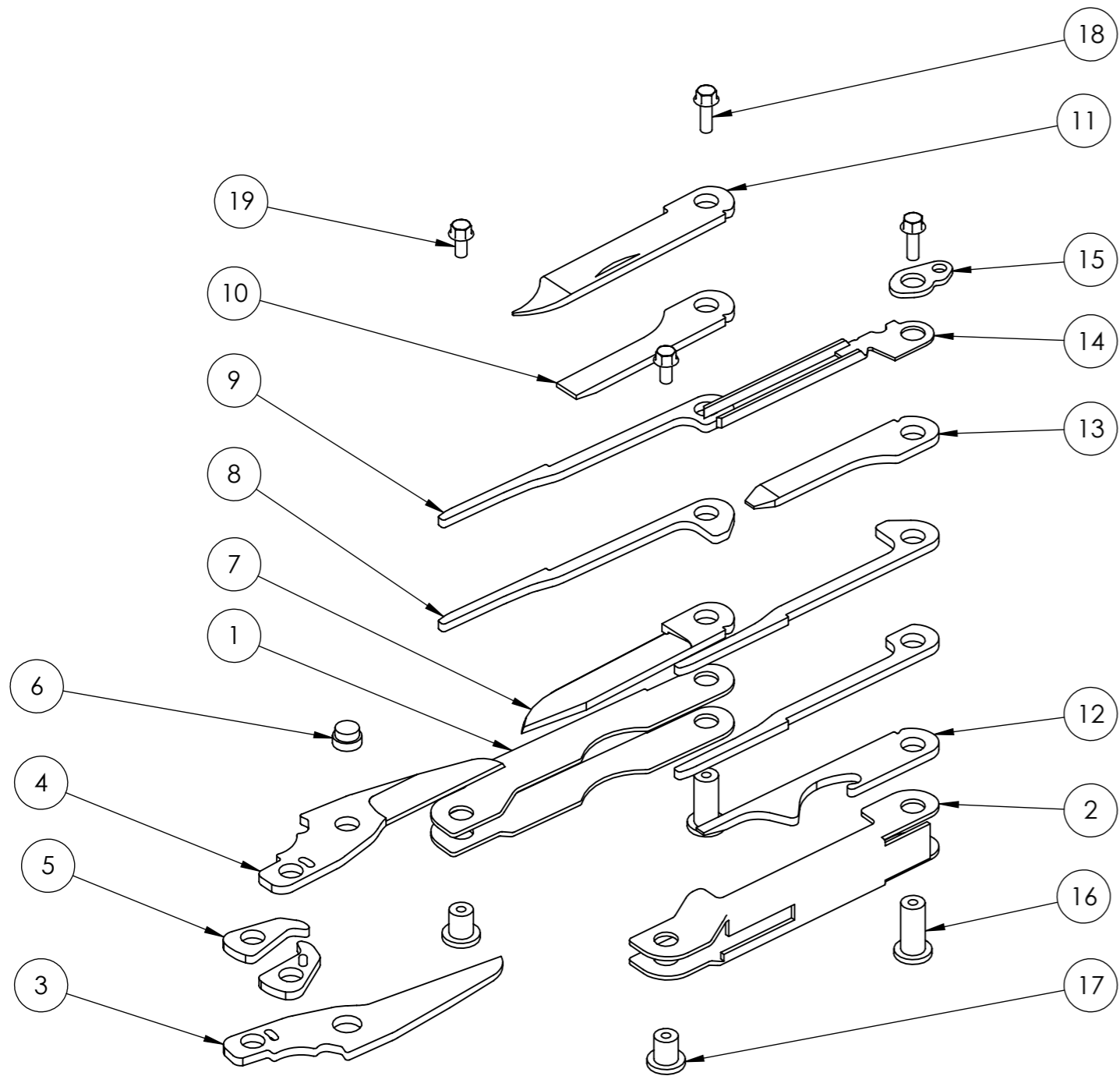
C

B

B

A

A



ITEM NO.	PART NUMBER	QTY.
1	CASE_A	1
2	CASE_B	1
3	BLADE_BIG_HOLE	1
4	BLADE_LITTLE_HOLE	1
5	SCISSOR_SPRING	2
6	SCISSOR_PIN	1
7	KNIFE	1
8	PLACEHOLDER_TALL	2
9	PLACEHOLDER_SHORT	2
10	MEDIUM_SCREWDRIVER	1
11	NAIL_FILE	1
12	BOTTLE_OPENER	1
13	PHILLIPS SCREWDRIVER	1
14	TWEEZERS	1
15	KEY_LOOP	1
16	PIN_LARGE	2
17	PIN_SMALL	2
18	B18.6.7M - M2 x 0.4 x 6 Plain HFMS --6N	2
19	B18.6.7M - M2 x 0.4 x 4 Plain HFMS --4N	2

UNLESS OTHERWISE SPECIFIED: DIMENSIONS ARE IN MILLIMETERS SURFACE FINISH: TOLERANCES: LINEAR: ANGULAR:			FINISH:		DEBURR AND BREAK SHARP EDGES		DO NOT SCALE DRAWING		REVISION		
							SAM LOMBARDI				
							TITLE: EXPLODED				
							DWG NO. MICRA				A3
							SCALE:1:1		SHEET 2 OF 13		

8 7 6 5 4 3 2 1