

CAP ALL ENDS

L1

RIGHT SIDE

3" x 2" x 3/16" HSS

5" x 10" x 3/16" HSS PLATE
NOT ATTACHED
NOT SHOWN

5" x 1'-0 3/8" x 3/16" HSS PLATE
NOT ATTACHED

3" x 3" x 3/16" HSS

L2

HEIGHT OVERALL:

L1 7'-9"

L2 6'-9 1/2"

L3 5'-7"

L4 5'-11 1/2"

L4

8" x 8" x 3/16" HSS PLATE

LEFT SIDE

L3

FRONT

1 MT. SHASTA STEEL CORE— ISOMETRIC
2.1-5

NOTES:

ALL HORIZONTAL MEMBERS ARE
3" x 2" x 3/16" HSS.

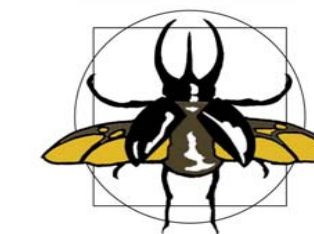
ALL VERTICAL MEMBERS ARE
3" x 3" x 3/16" HSS.

ONLY THE BOTTOM PLATES ARE
WELDED ON.

CAP ALL ENDS.

REVISIONS / ISSUES

NO. DATE



SCIENTIFIC ART STUDIO
500 B Street
Richmond, California 94801
(510) 232-9629
scientificartstudio.com



Jim and Joy McMullen
California Kid Zone
California Trail — Oakland Zoo
Oakland, California

100%
DESIGN
DEVELOPMENT

TITLE:
MT. SHASTA
STEEL CORE
ISOMETRIC

DATE: 7 / 26 / 17

SCALE: AS SHOWN

SHEET SIZE 22" x 34"

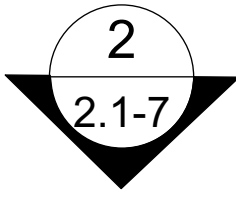
DRAWN BY: SL

CHECKED BY: JB

SHEET NO:

2.1-5

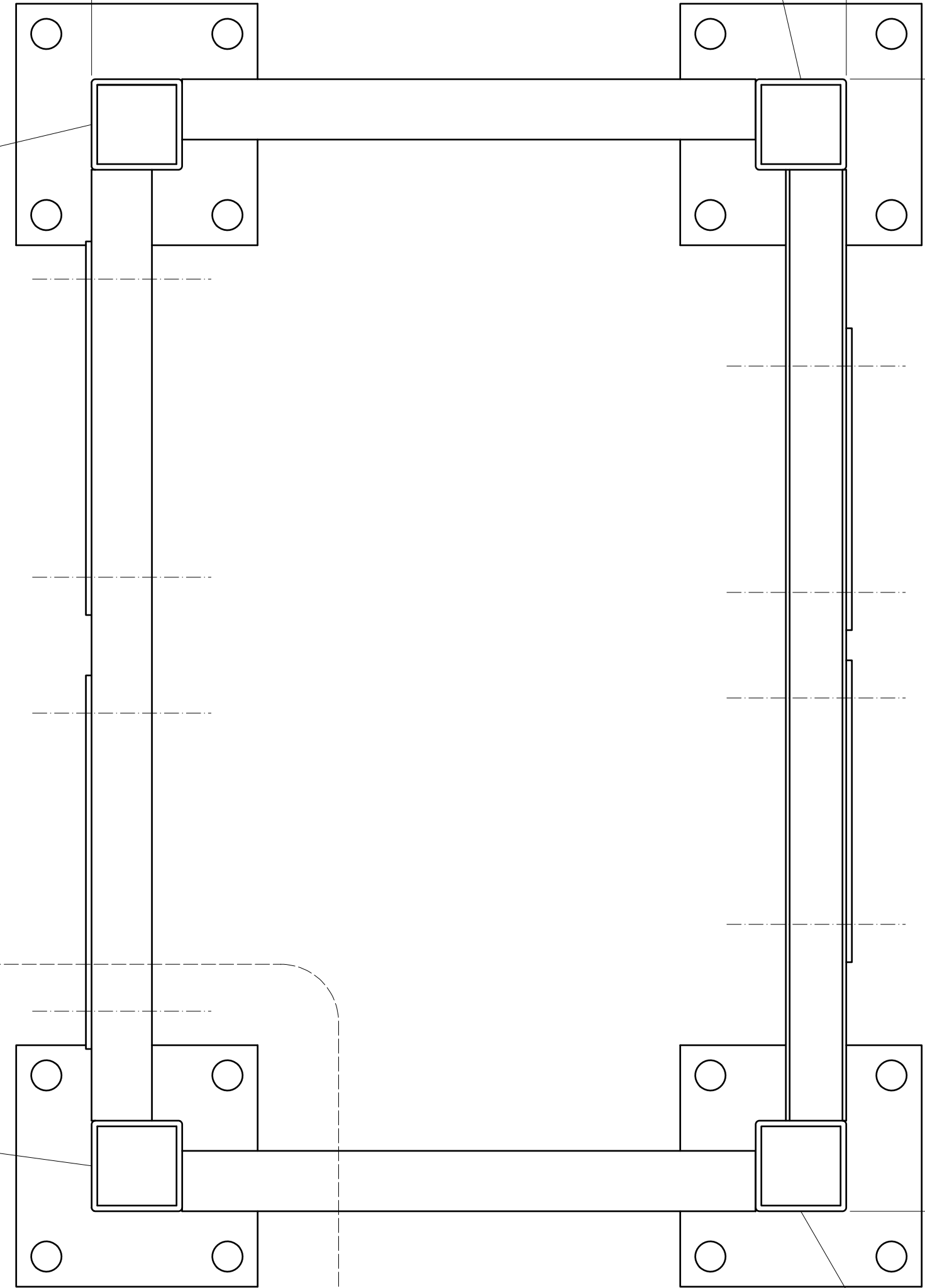
BACK



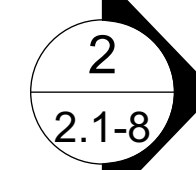
25"

L1

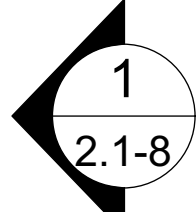
L4



37 1/2"



LEFT SIDE

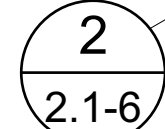


RIGHT SIDE



FRONT

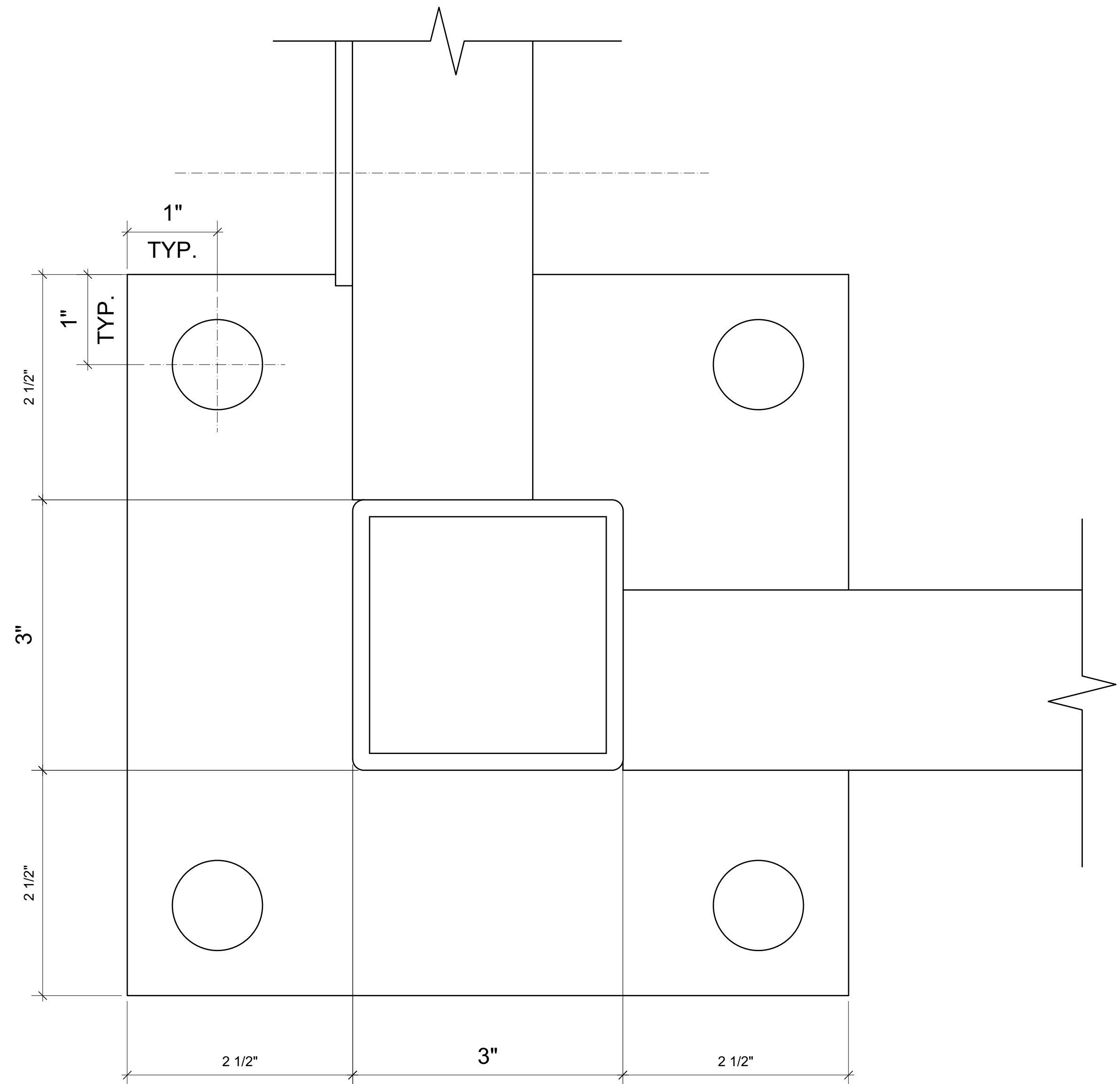
L3



L2

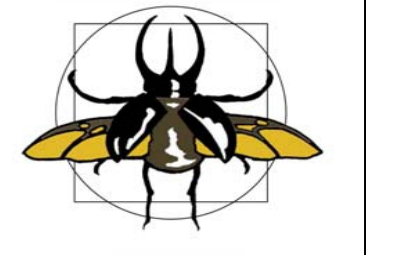
1 MT. SHASTA STEEL CORE — PLAN VIEW
2.1-6 Scale: 3" = 1'-0"

CAP ALL ENDS



2 MT. SHASTA STEEL CORE — PLAN DETAIL
2.1-6 Scale: Actual Size

REVISIONS / ISSUES	NO.	DATE	ISSUE FOR



SCIENTIFIC ART STUDIO
500 B Street
Richmond, California 94801
(510) 232-9629
scientificartstudio.com



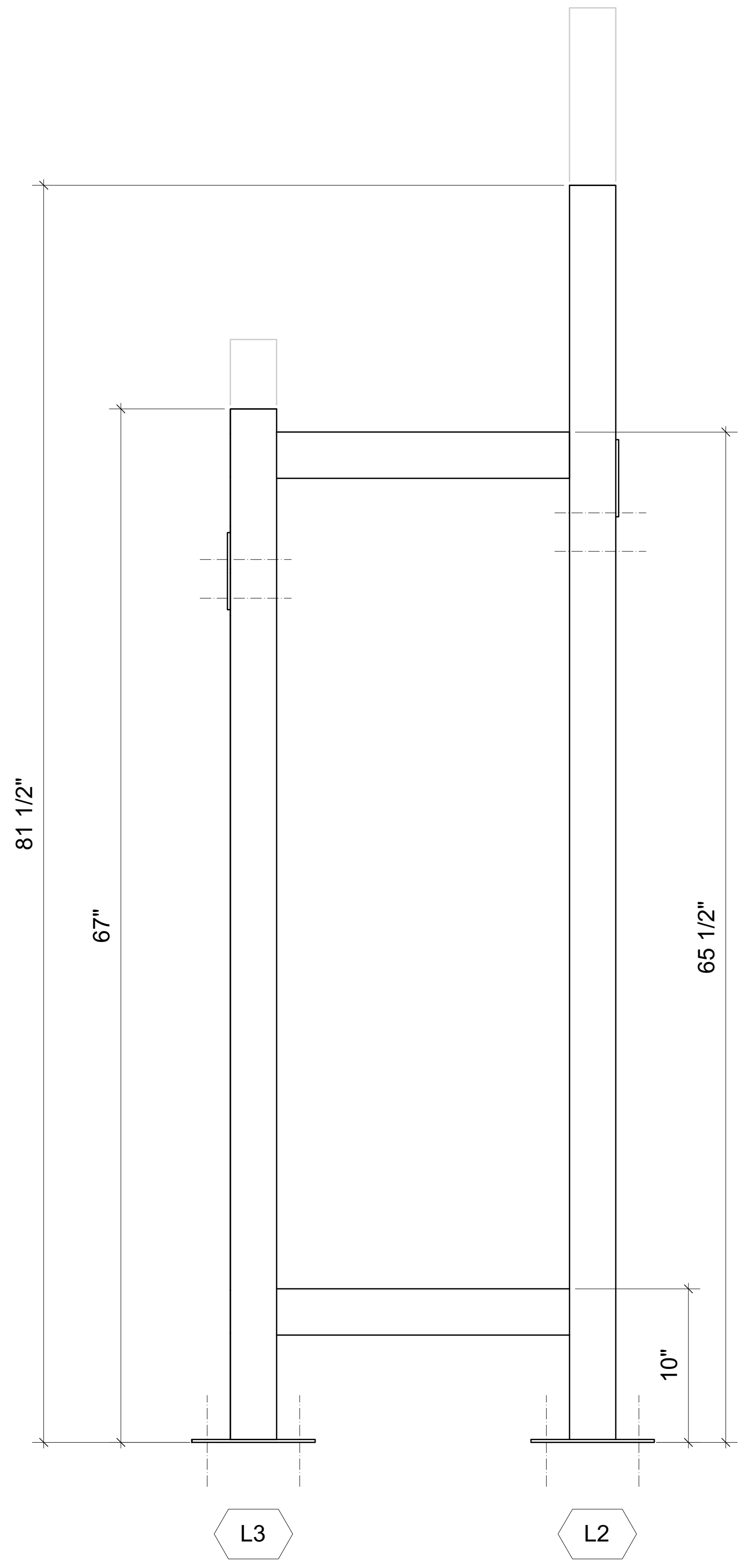
Jim and Joy McMullen
California Kid Zone
California Trail — Oakland Zoo
Oakland, California

**100%
DESIGN
DEVELOPMENT**

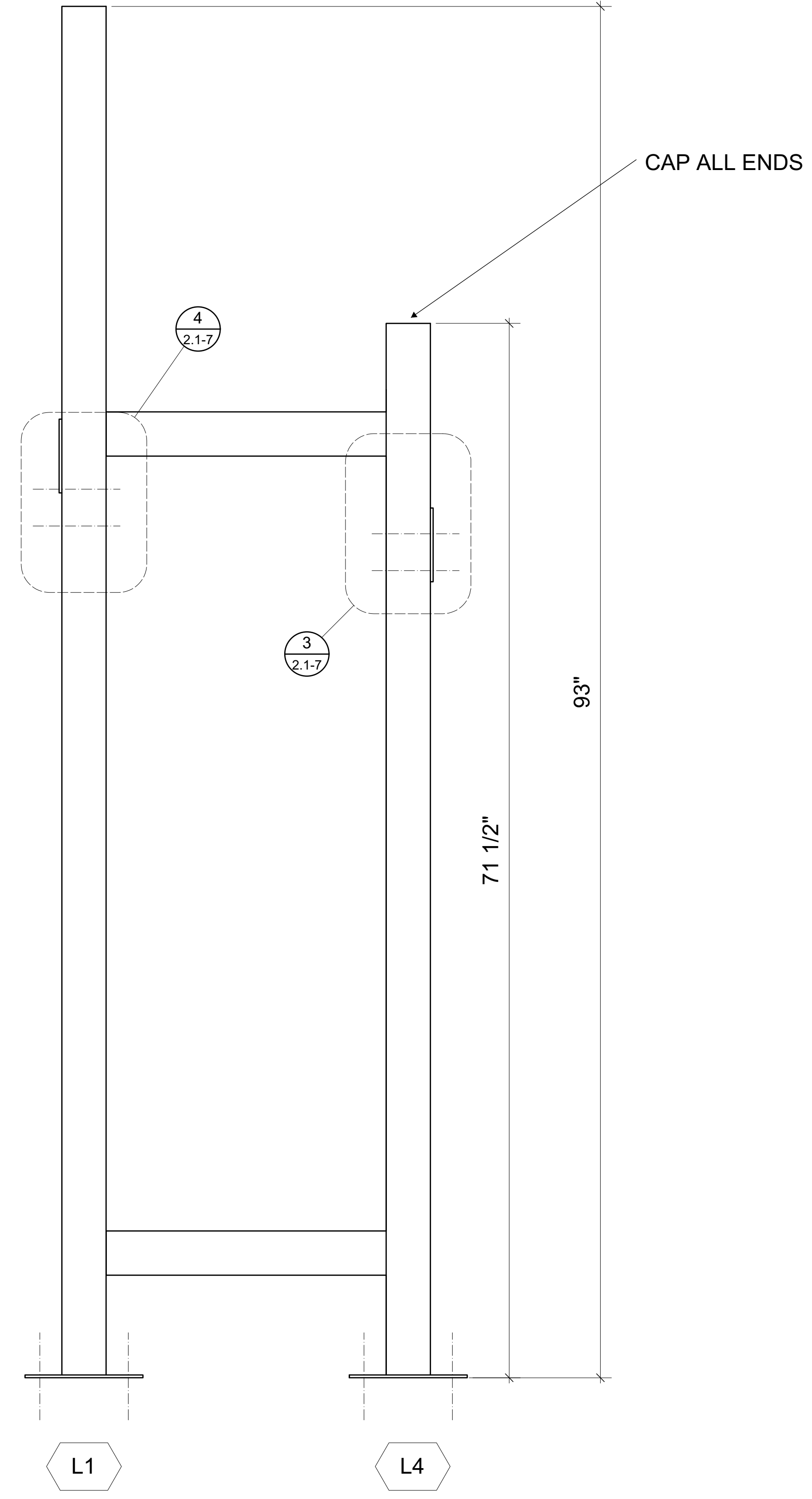
TITLE:
**MT. SHASTA
STEEL CORE**
PLAN

DATE: 7 / 26 / 17
SCALE: AS SHOWN
SHEET SIZE 22" x 34"
DRAWN BY: SL
CHECKED BY: JB

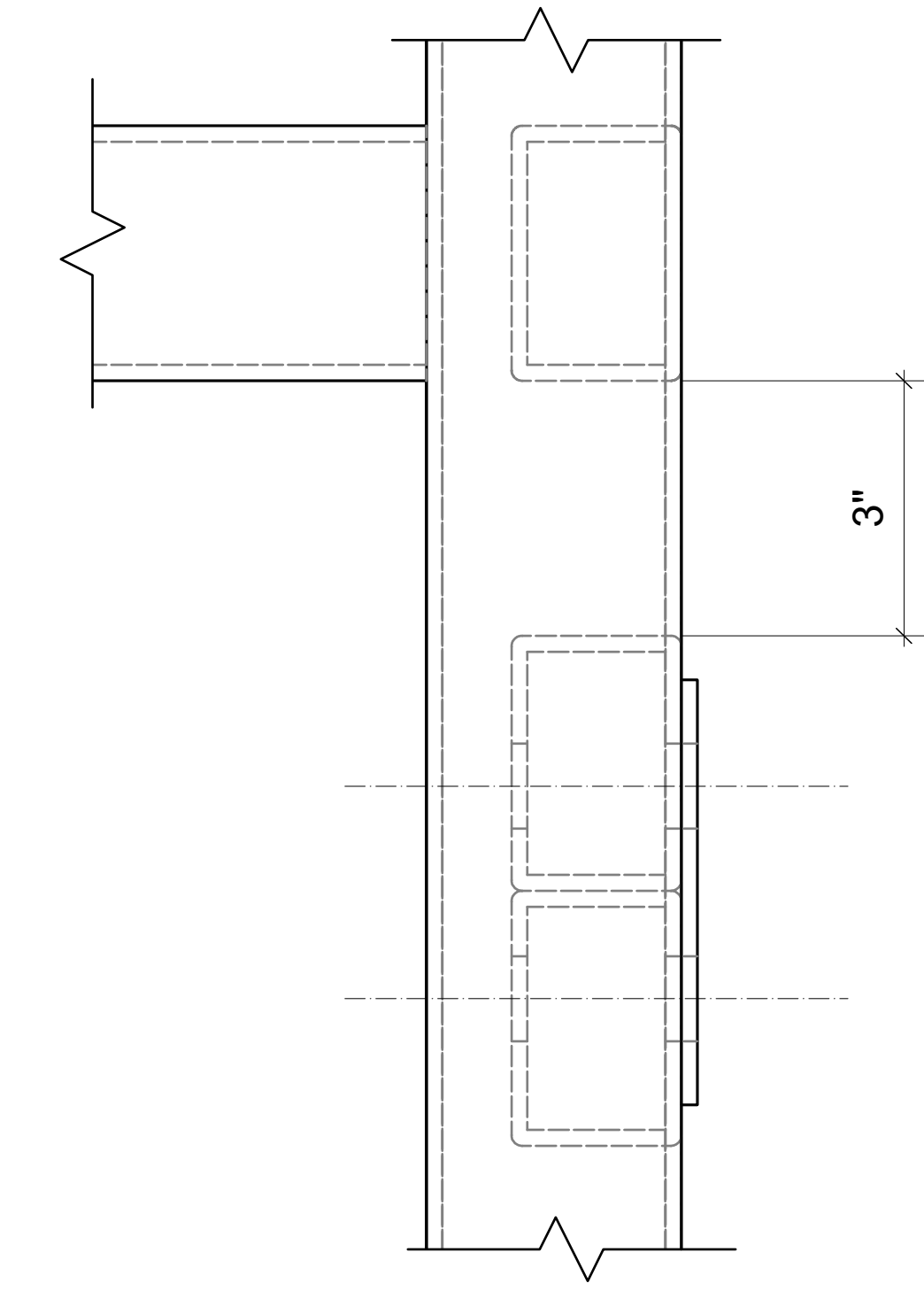
SHEET NO:
2.1-6



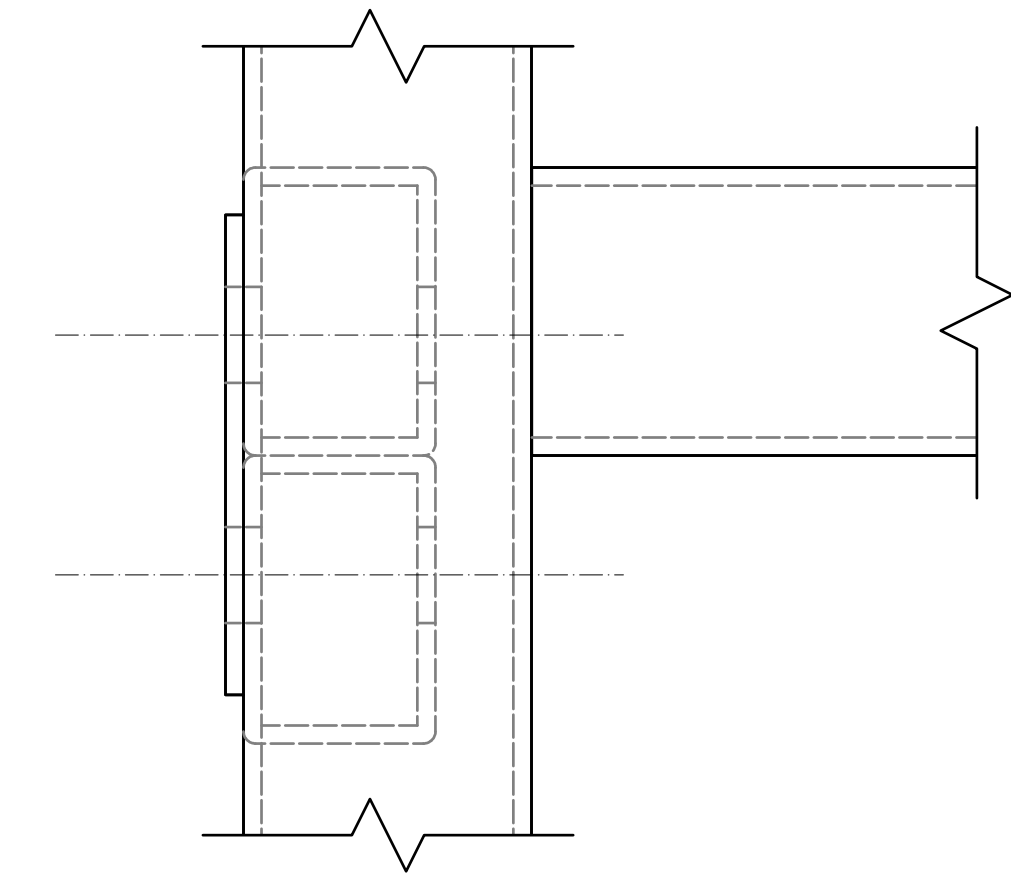
1 MT. SHASTA STEEL CORE— FRONT
2.1-7 Scale: 2" = 1'-0"



2 MT. SHASTA STEEL CORE— BACK
2.1-7 Scale: 2" = 1'-0"



3 MT. SHASTA STEEL CORE— LEFT FACE CROSS SECTION
2.1-7 Scale: Half Actual Size



4 MT. SHASTA STEEL CORE— RIGHT FACE CROSS SECTION
2.1-7 Scale: Half Actual Size

REVISIONS / ISSUES		NO.	DATE	ISSUE FOR



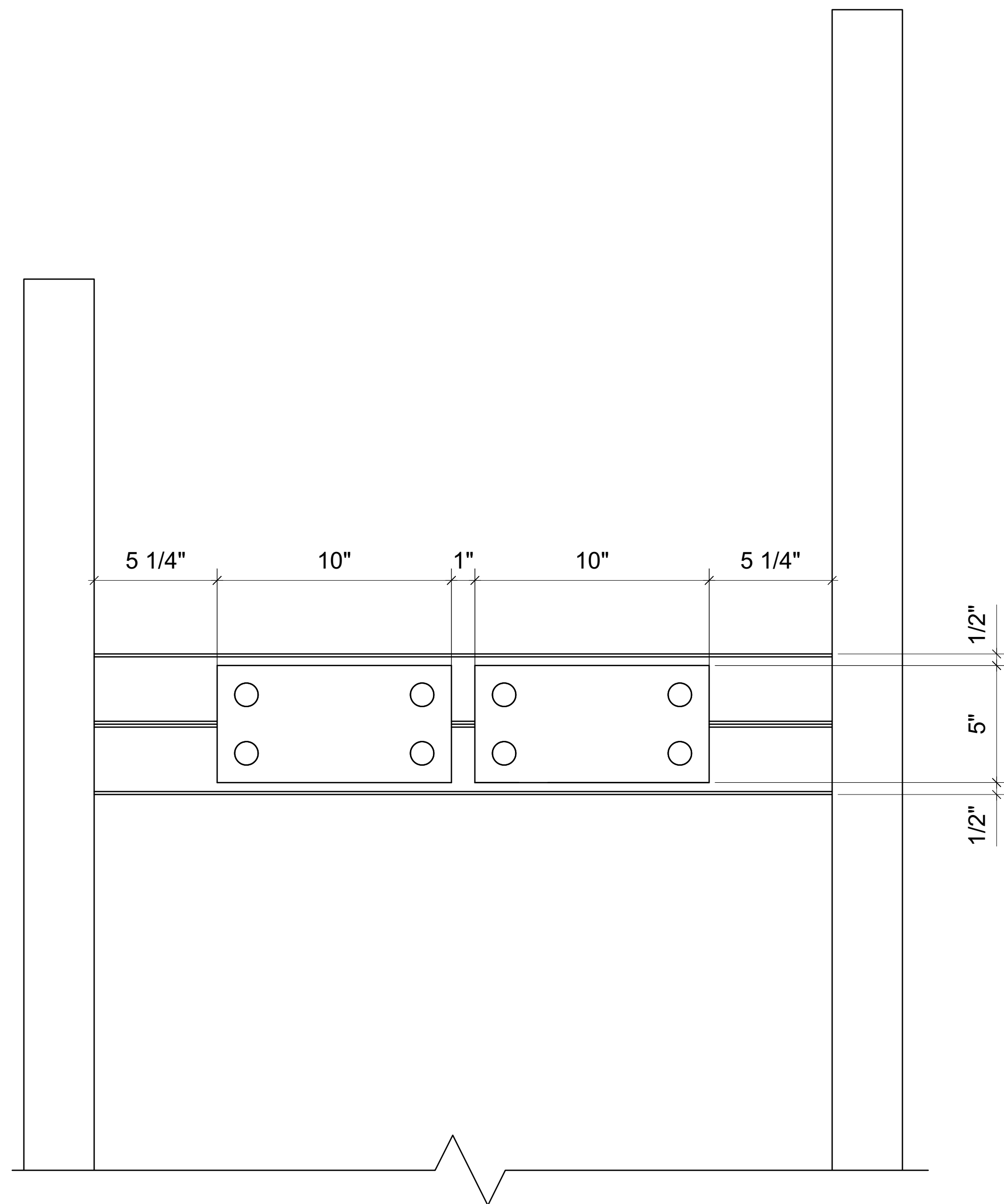
Jim and Joy McMullen
California Kid Zone
California Trail —Oakland Zoo
Oakland, California

**100%
DESIGN
DEVELOPMENT**

TITLE:
**MT. SHASTA
STEEL CORE
ELEVATIONS**

DATE: 7 / 26 / 17
SCALE: AS SHOWN
SHEET SIZE 22" x 34"
DRAWN BY: SL
CHECKED BY: JB

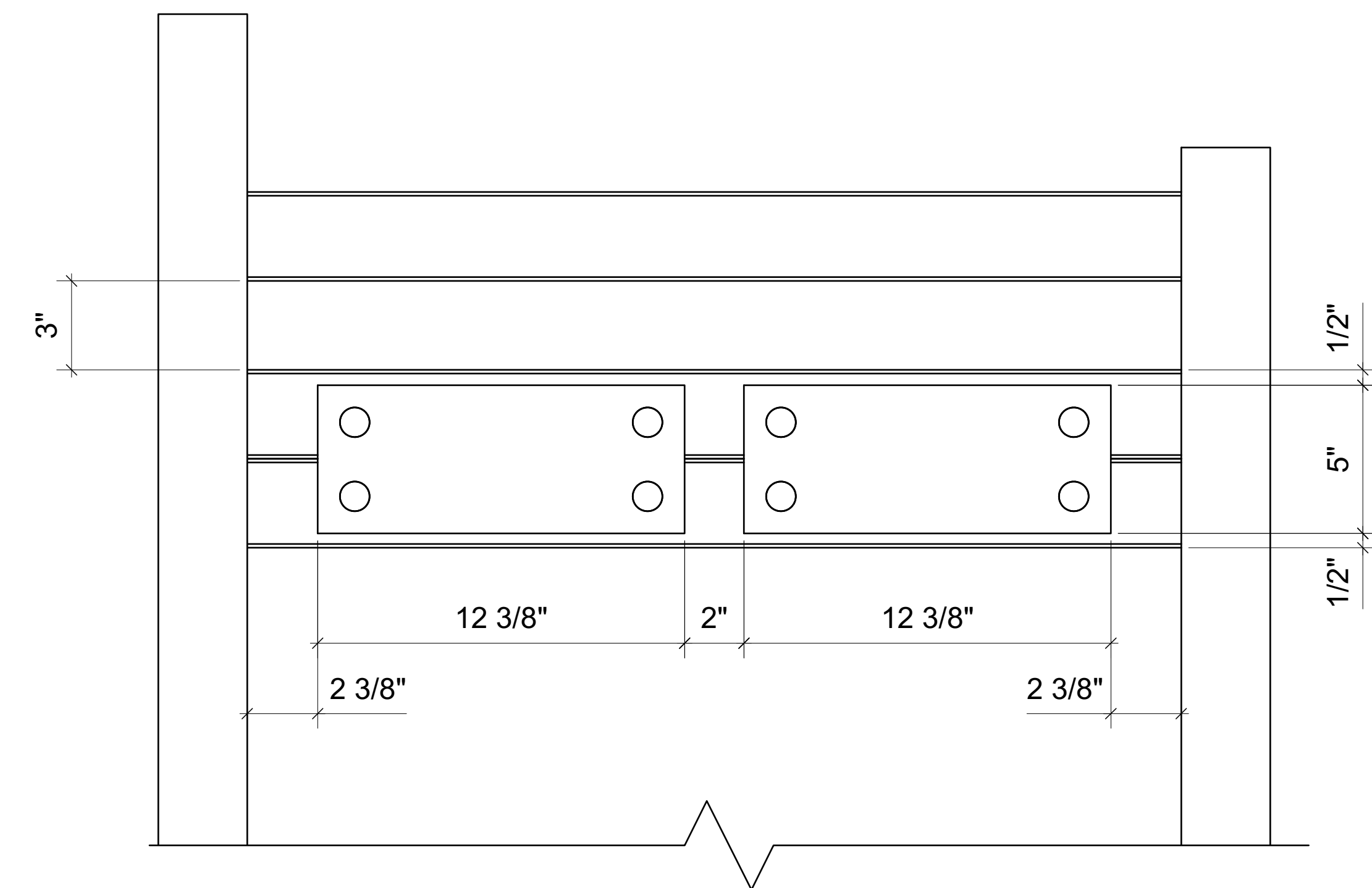
SHEET NO:
2.1-7



L2

L1

1 MT. SHASTA STEEL CORE— RIGHT SIDE
2.1-8 Scale: 3" = 1'-0"



L4

L3

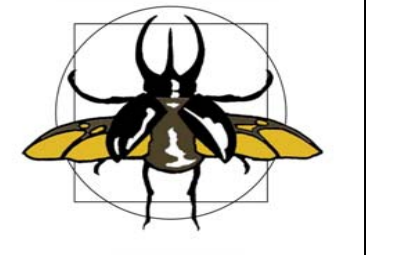
2 MT. SHASTA STEEL CORE— LEFT SIDE
2.1-8 Scale: 3" = 1'-0"

NOTES:

SIDE PLATES SHOWN HERE
ARE NOT TO BE ATTACHED TO
THE FRAME

THE CORISPONDING HOLES
MUST BE DRILLED IN FRAME.

REVISIONS / ISSUES		NO.	DATE	ISSUE FOR



SCIENTIFIC ART STUDIO
500 B Street
Richmond, California 94801
(510) 232-9629
scientificartstudio.com



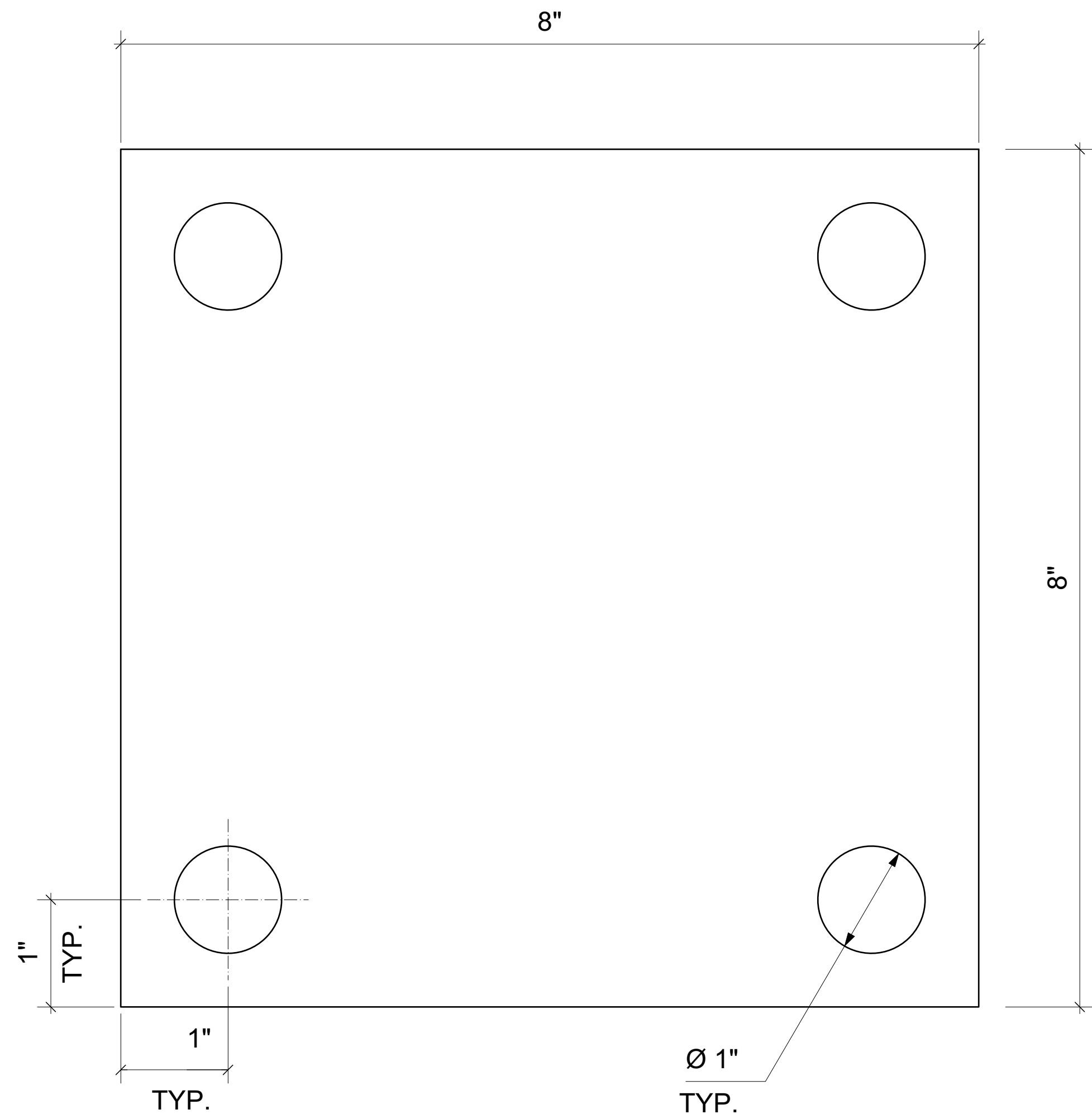
Jim and Joy McMullen
California Kid Zone
California Trail —Oakland Zoo
Oakland, California

**100%
DESIGN
DEVELOPMENT**

TITLE:
**MT. SHASTA
STEEL CORE
ELEVATIONS**

DATE: 7 / 26 / 17
SCALE: AS SHOWN
SHEET SIZE 22" x 34"
DRAWN BY: SL
CHECKED BY: JB
SHEET NO:

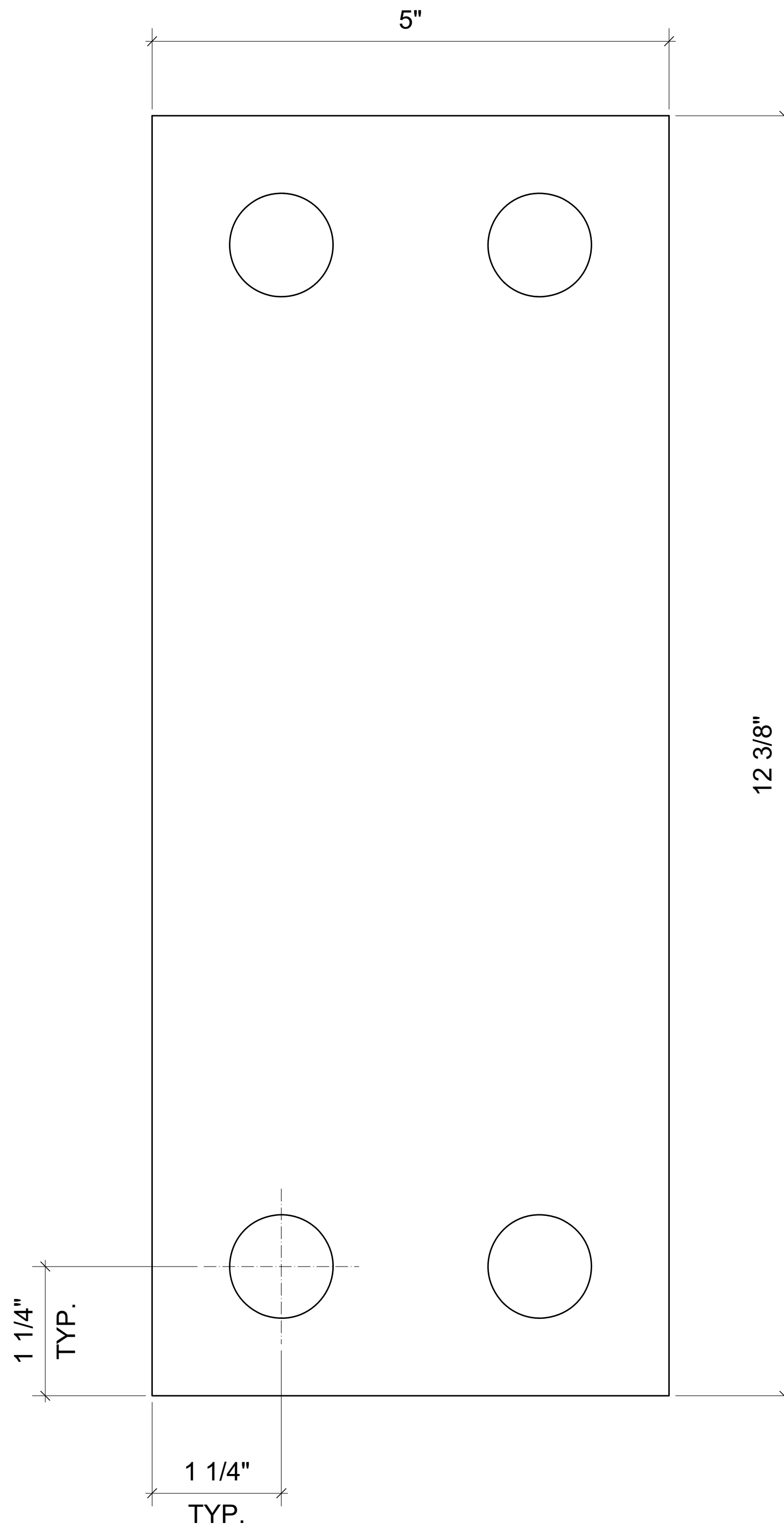
2.1-8



1 MT. SHASTA STEEL PLATE A
2.1-9 Scale: Actual Size

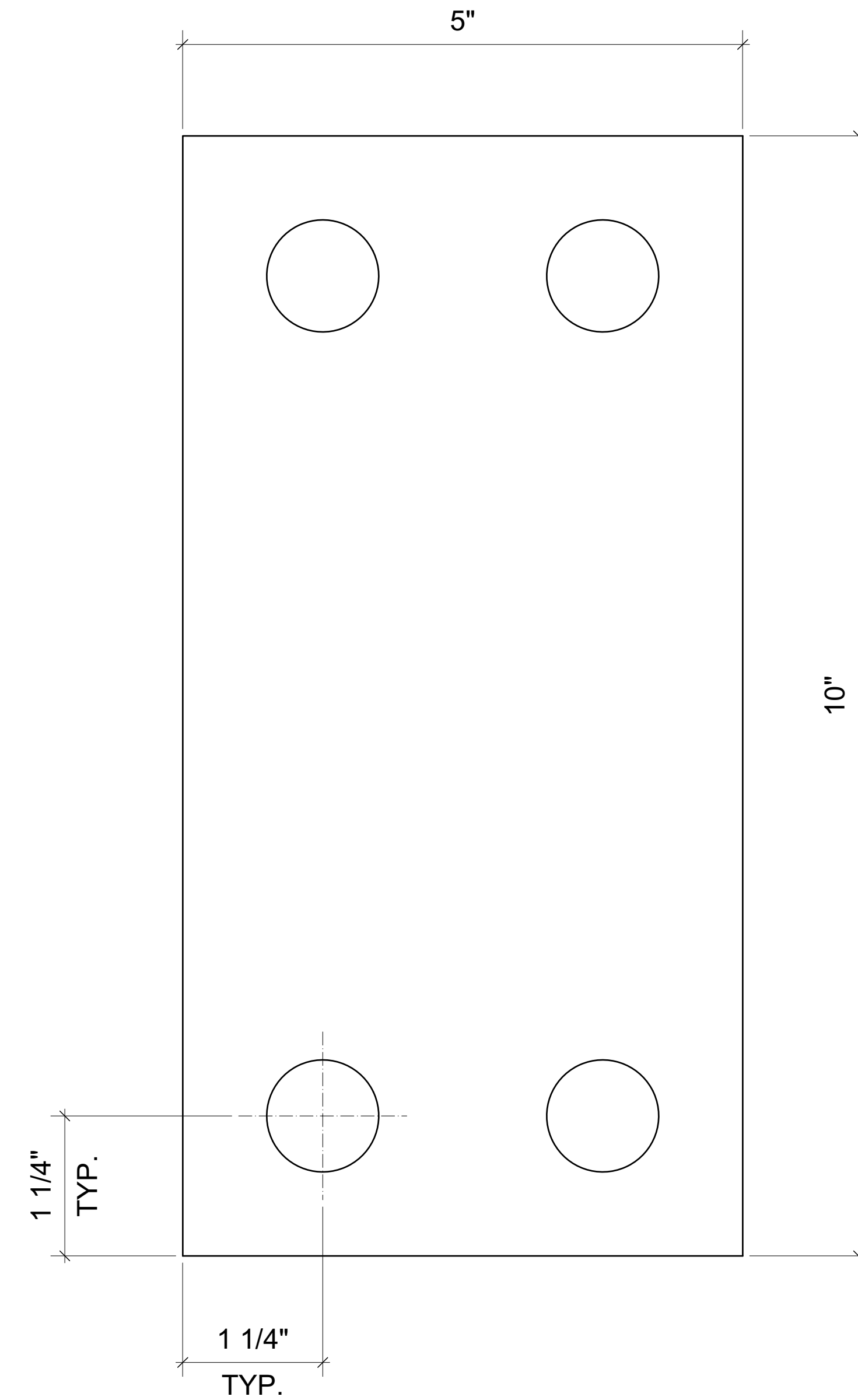
(38) TOTAL REQUIRED

NOTE:
INCULDES 4 PLATES FOR
FABRICATION OF CORE.
LEAVEING 34 LOOSE.



2 MT. SHASTA STEEL PLATE B
2.1-9 Scale: Actual Size

(2) TOTAL REQUIRED



3 MT. SHASTA STEEL PLATE C
2.1-9 Scale: Actual Size

(2) TOTAL REQUIRED

NOTES:

ALL PLATES ARE 3/16" THICK.
ALL PLATES ARE HSS.
ALL HOLES ARE DIA. 1".

REVISIONS / ISSUES	NO.	DATE	ISSUE FOR



SCIENTIFIC ART STUDIO
500 B Street
Richmond, California 94801
(510) 232-9629
scientificartstudio.com



Jim and Joy McMullen
California Kid Zone
California Trail —Oakland Zoo
Oakland, California

**100%
DESIGN
DEVELOPMENT**

TITLE:
**MT. SHASTA
STEEL
PLATES**

DATE: 7 / 26 / 17

SCALE: AS SHOWN

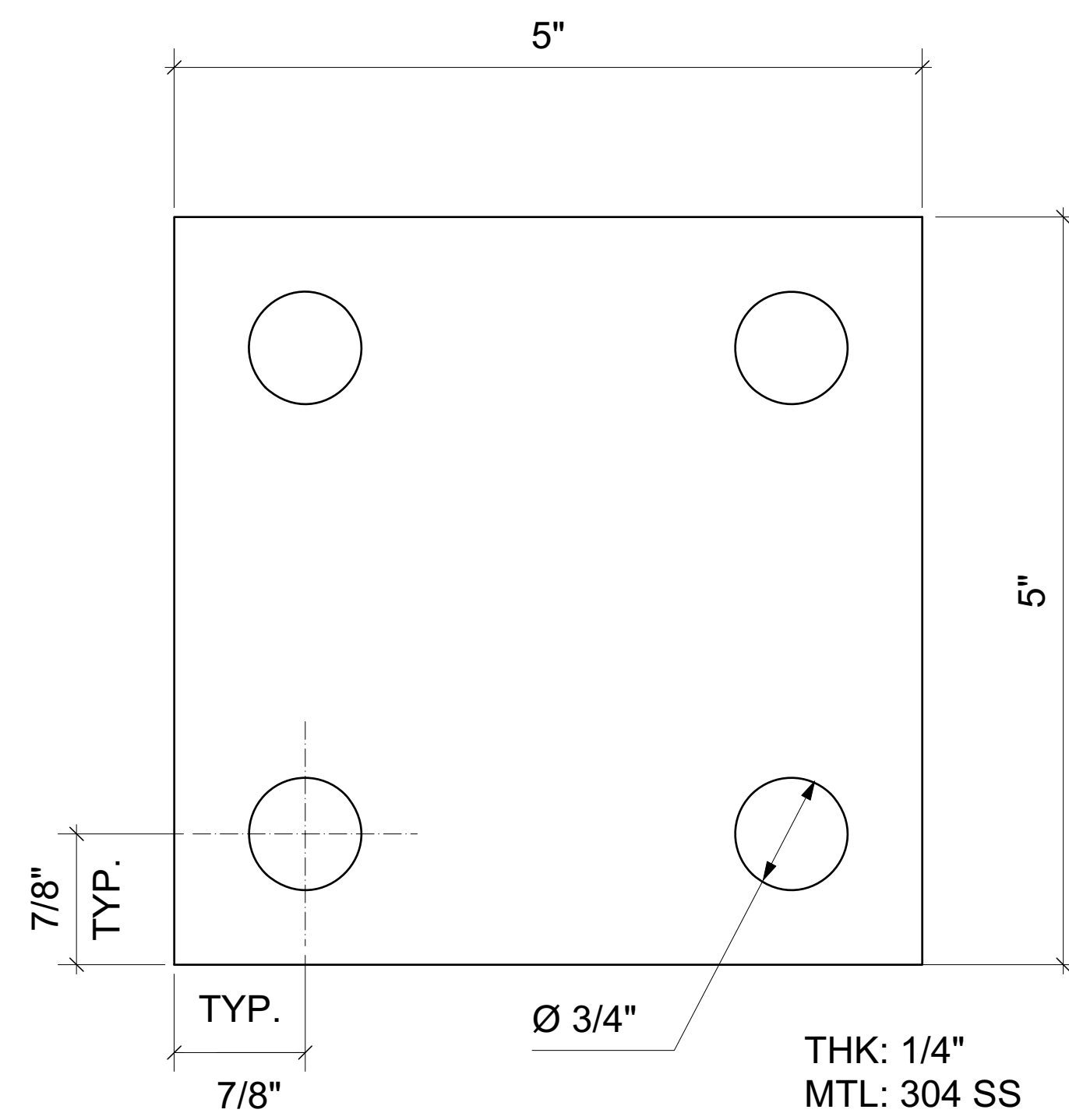
SHEET SIZE 22" x 34"

DRAWN BY: SL

CHECKED BY: JB

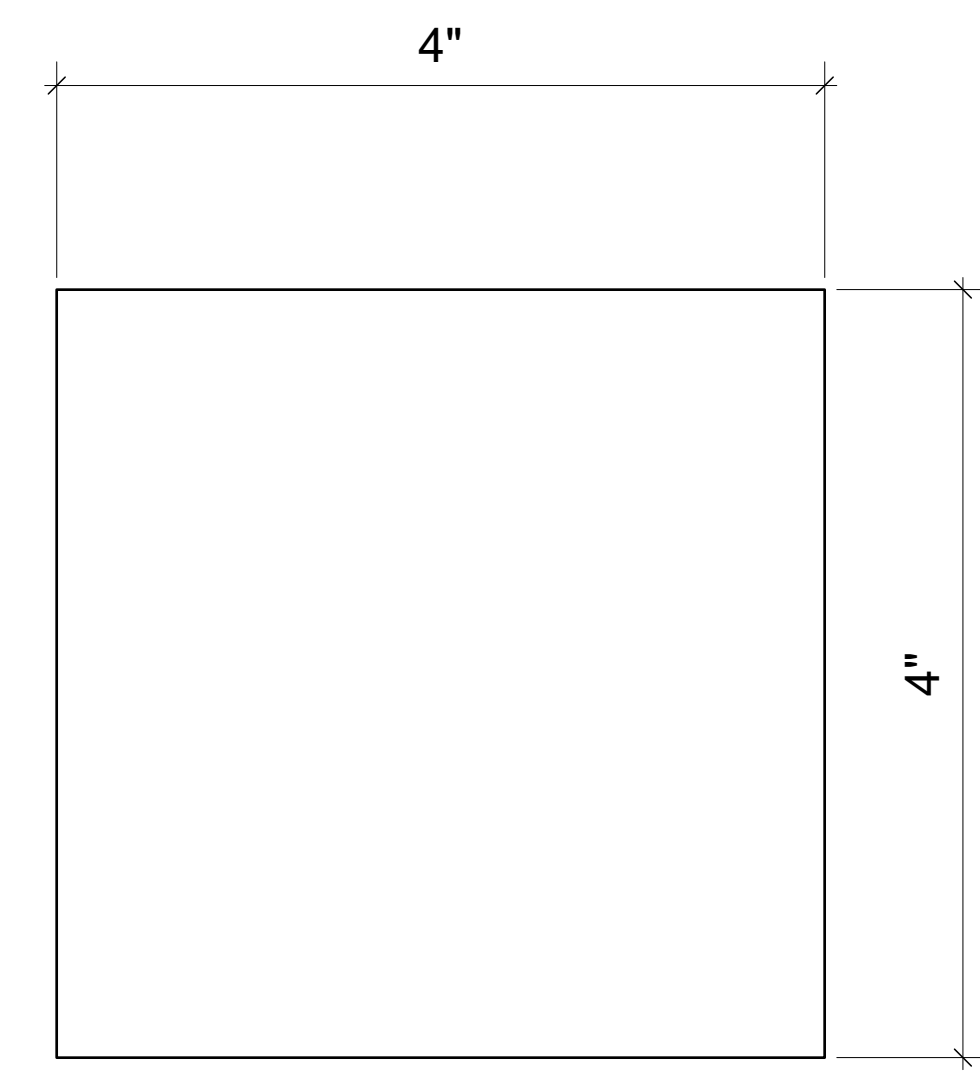
SHEET NO:

2.1-9



1 MAKE A NEST PLATE A
1.4-2 Scale: Actual Size

(8) TOTAL REQUIRED



2 MAKE A NEST PLATE B
1.4-2 Scale: Actual Size

(34) TOTAL REQUIRED

EASE ALL CORNERS

REVISIONS / ISSUES	NO.	DATE	ISSUE FOR



SCIENTIFIC ART STUDIO
500 B Street
Richmond, California 94801
(510) 232-9629
scientificartstudio.com



Jim and Joy McMullen
California Kid Zone
California Trail — Oakland Zoo
Oakland, California

**100%
DESIGN
DEVELOPMENT**

TITLE:
**MAKE
A NEST

STEEL
PLATES**

DATE: 7 / 26 / 17

SCALE: AS SHOWN

SHEET SIZE 22" x 34"

DRAWN BY: SL

CHECKED BY: JB

SHEET NO:

1.4-2