

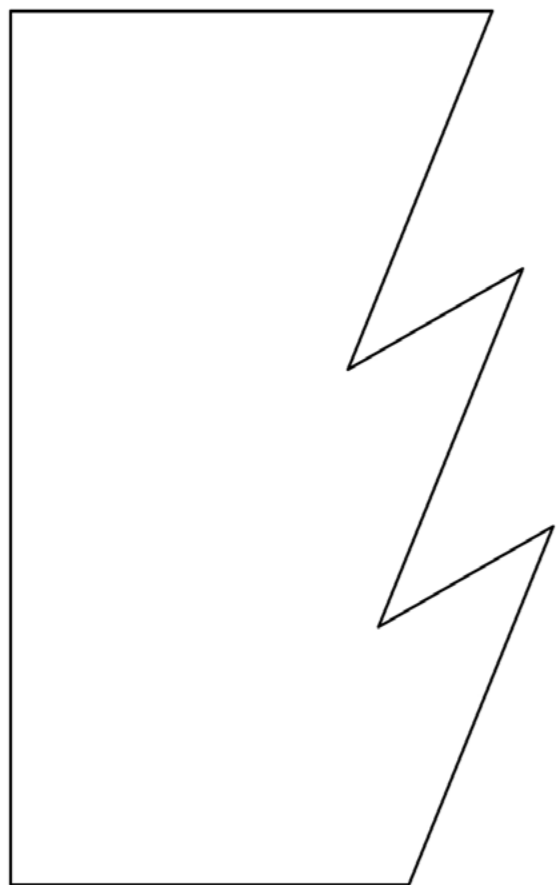
# THE HUNDREDS

## FALL 2023 STORE DESIGN

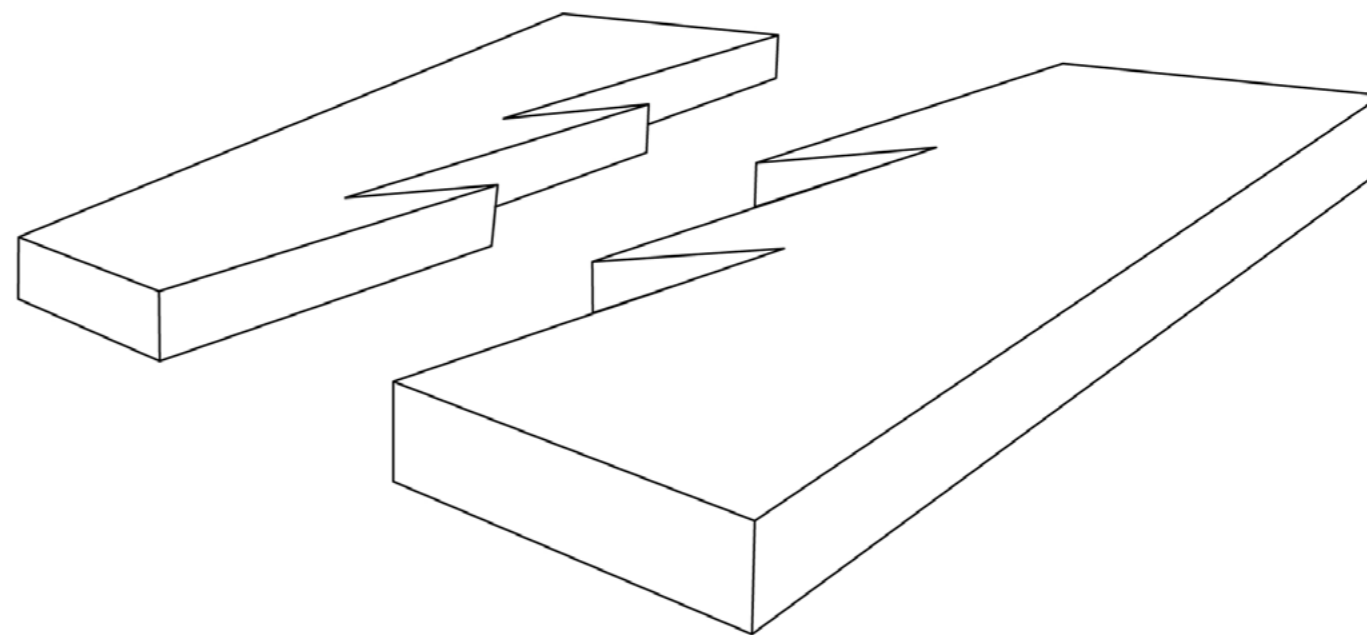
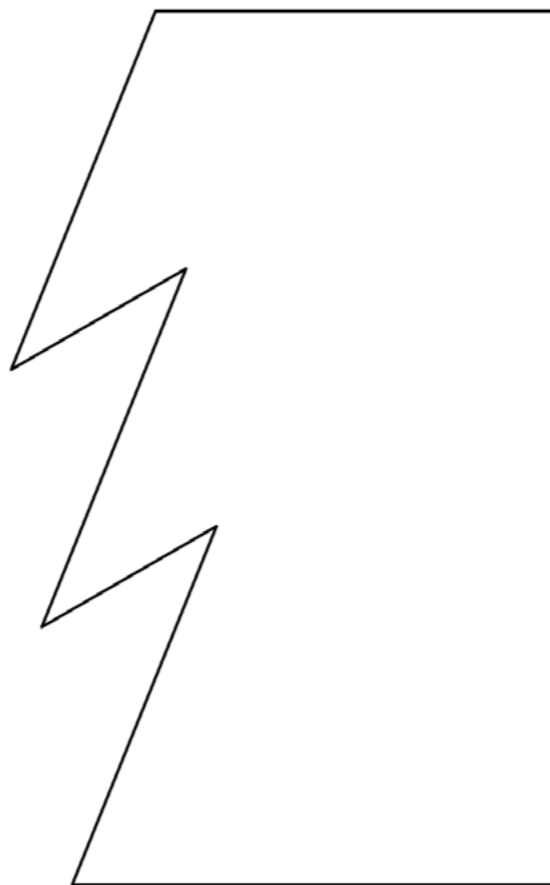


# WILDFIRE

Top View

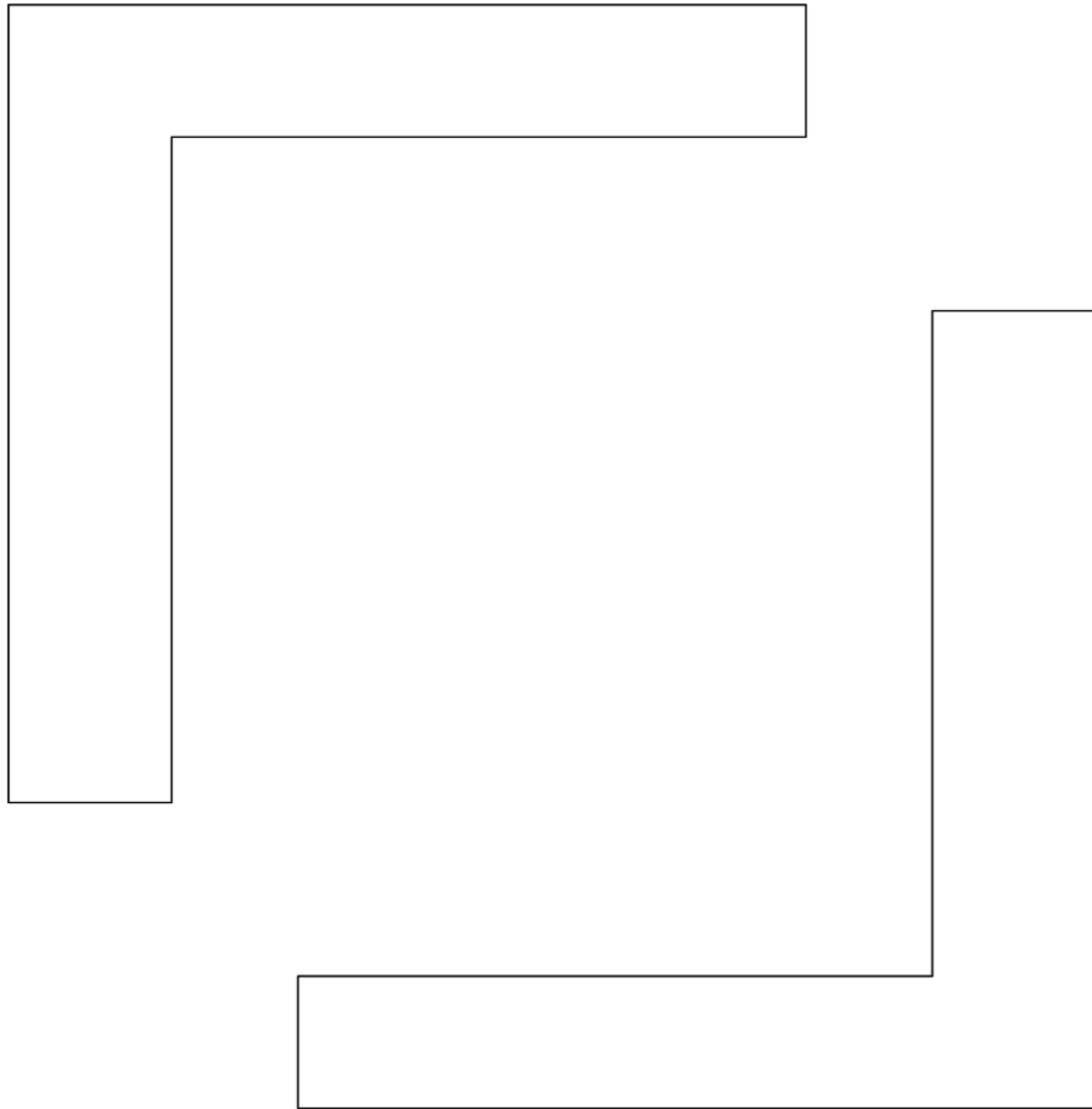


Side View

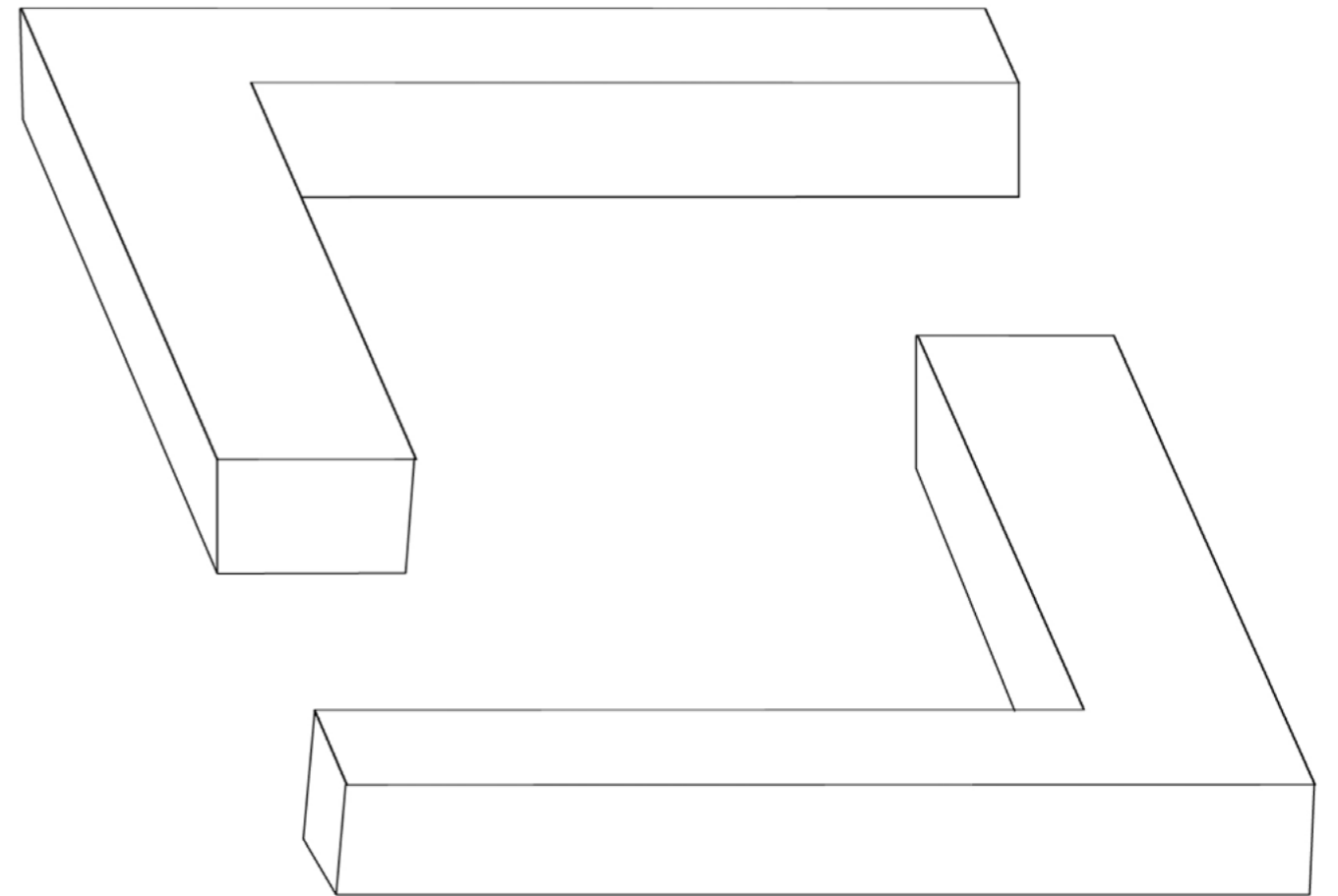


# ANGULAR

Top View

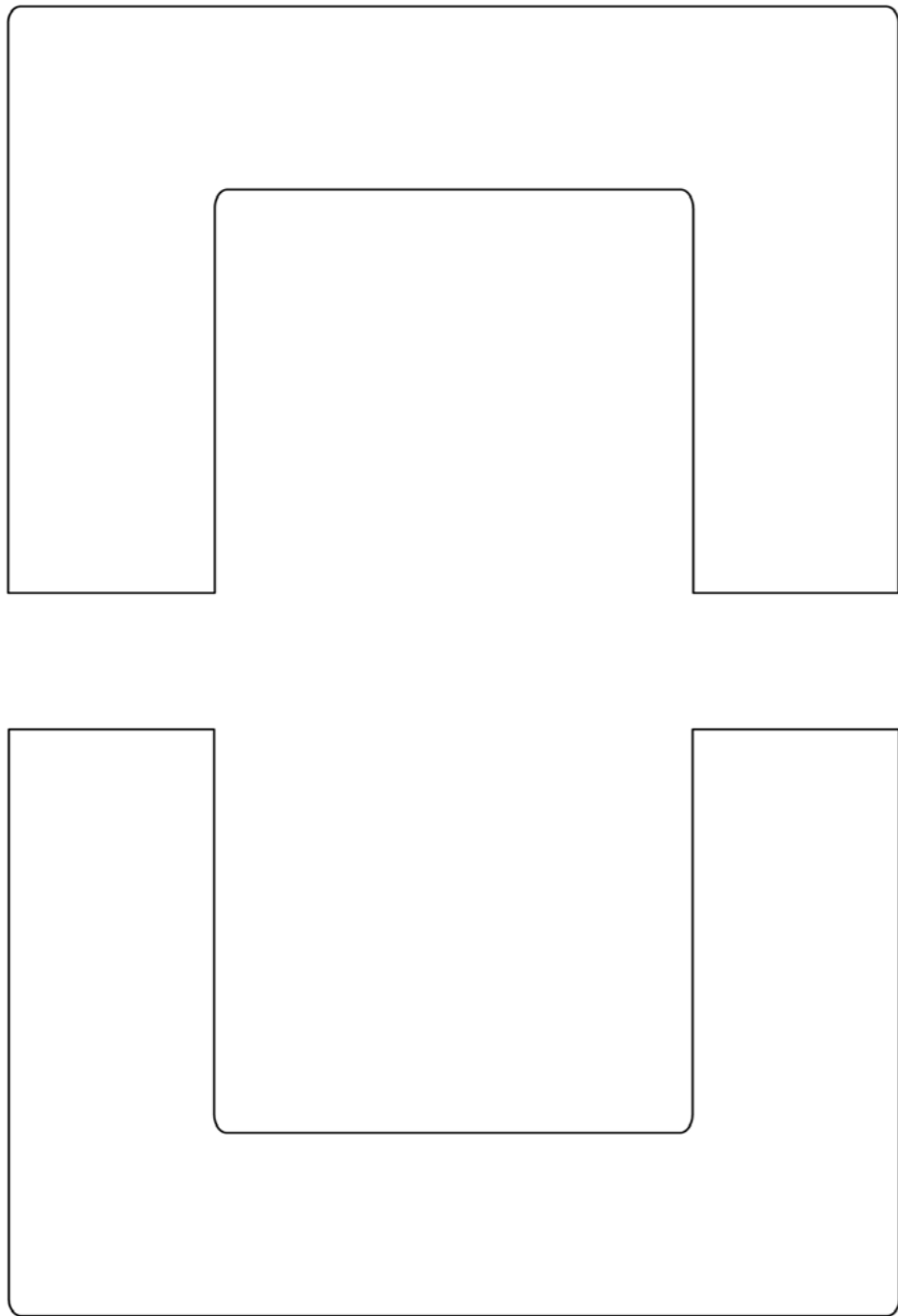


Side View

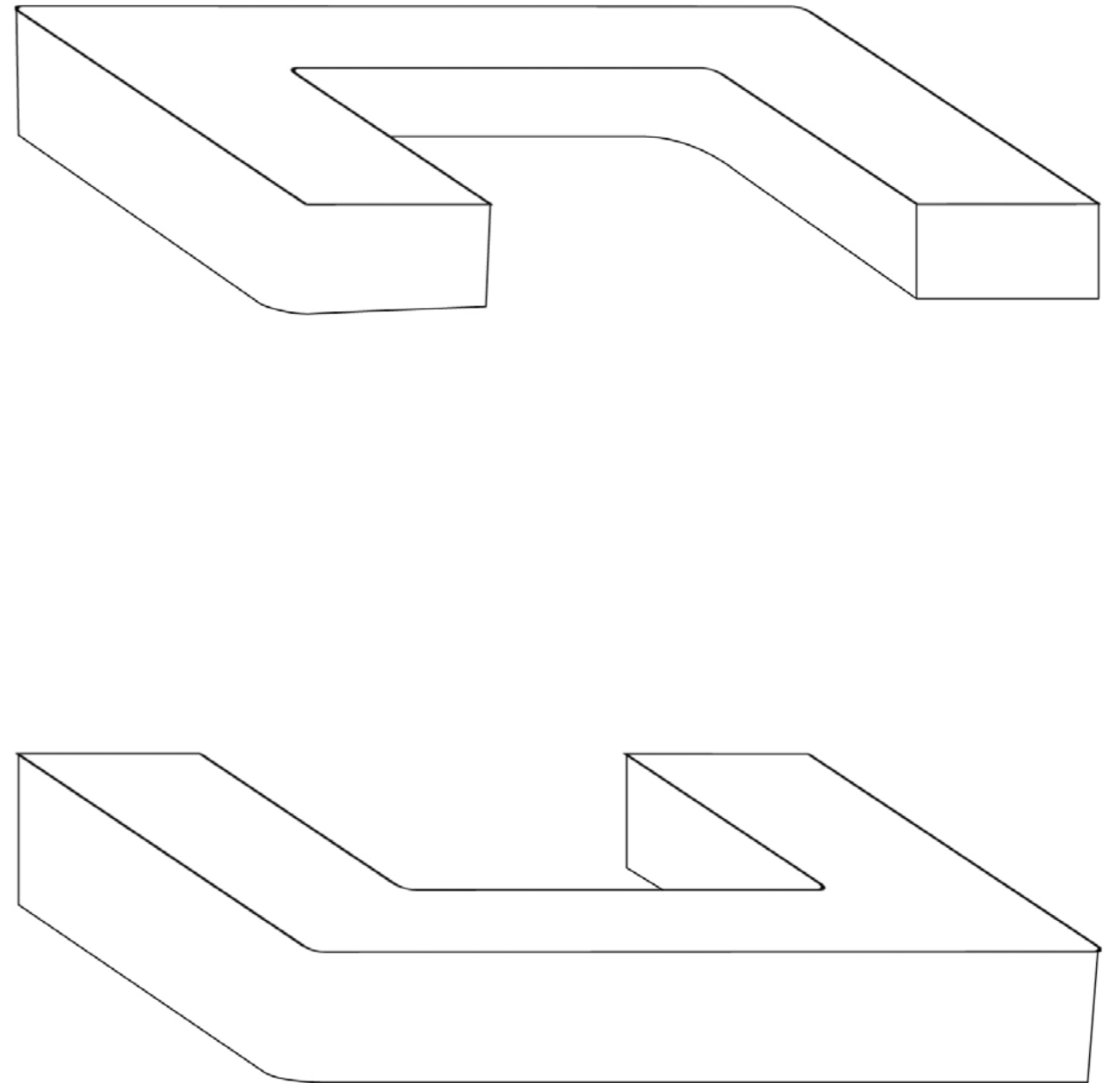


# HORSESHOE

Top View



Side View

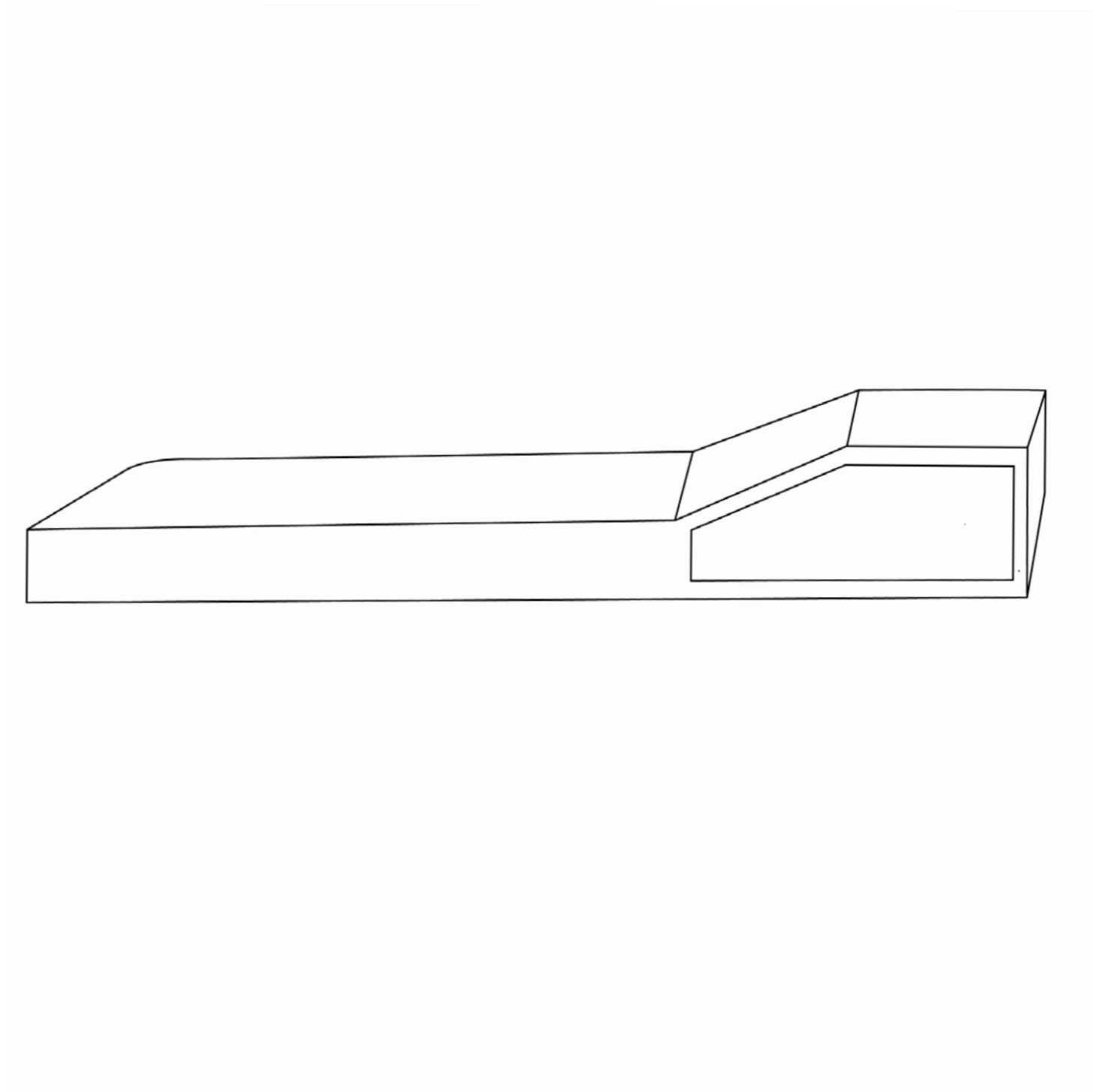


# DAYBED

Top View



Side View



# EMBOSSSED OPTIONS

Gaudi / Gothic inspired using The Hundreds elements to create a casted design.



# EMBOSSED OPTIONS

Rigid and geometrical imprints that have  
The Hundreds designs at the center of each  
box.



# TH MOTIF TILES

Tiles or tile-like impression on the side of benches that have repeating The Hundreds patterns.



**Embossed**



**Printed**



# LEATHER PILLOWS

Design focus not embossed into bench but rather presented on throw pillows on bench to reduce clutter.



# EMBROIDERED PILLOWS

Design focus not embossed into bench but rather presented on throw pillows on bench to reduce clutter.



# **NEXT STEPS**

- **Discussion**
- **Choose Items**
- **3D Render**
- **Sizing**
- **Meet with Contractors**

**CONTACT**  
**510.529.9280**  
**INFO@CAOSMOTE.COM**

