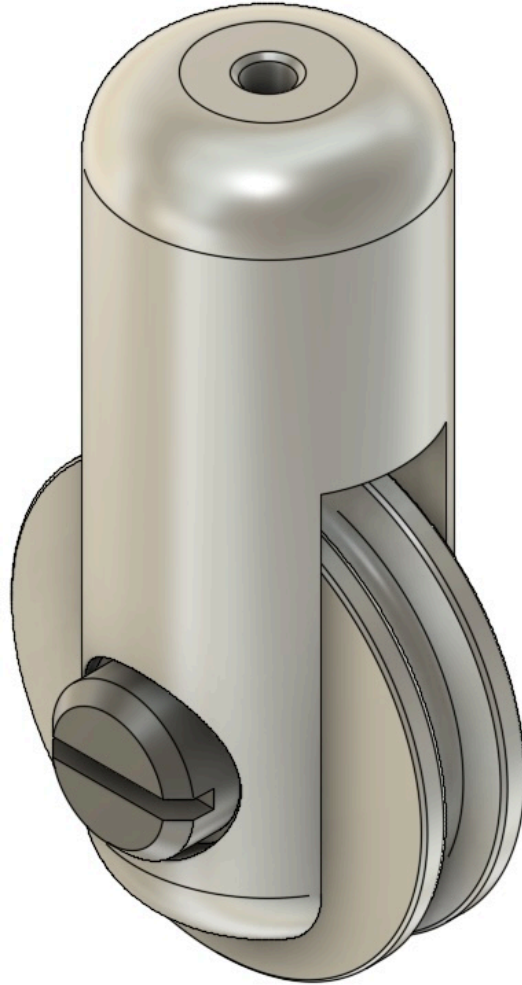
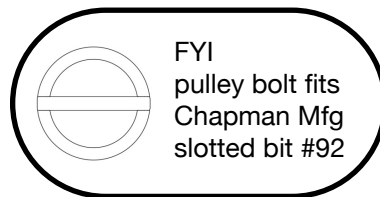
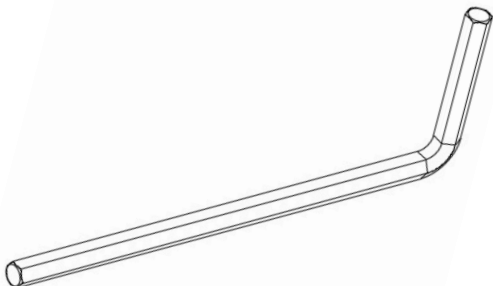


# SHOVEL RESEARCH

"W/R/T" STRADDLE CABLE YOKE

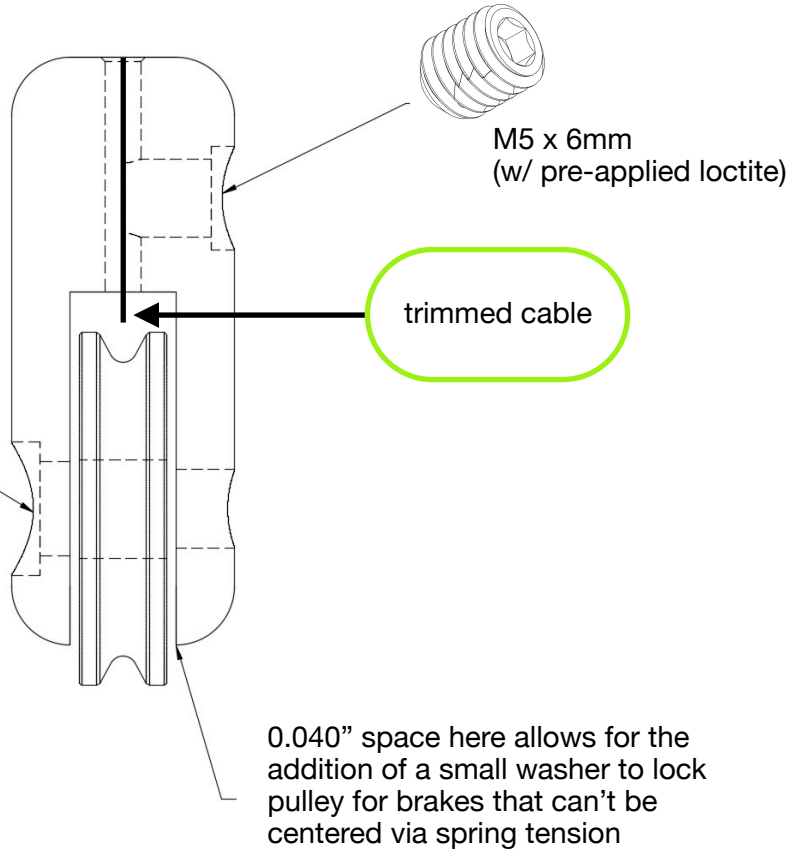


TOOLS NEEDED:	
2.5 hex key (included)	cable cutters

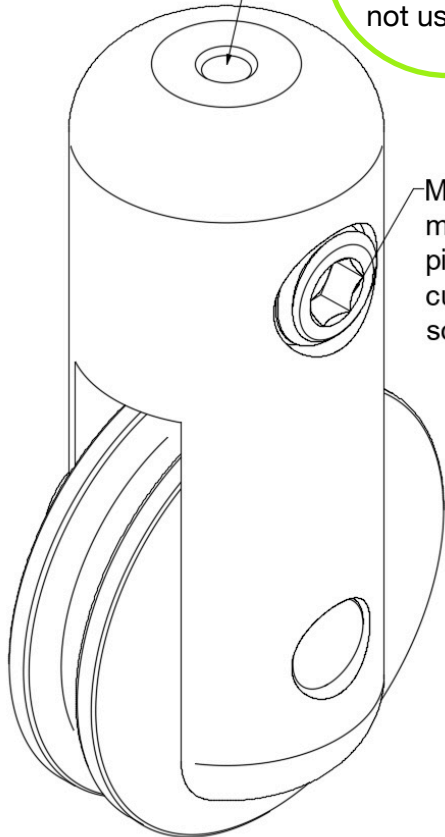




M5 x 10mm  
(reduced head)



**IMPORTANT!** Brake cable must be trimmed before installation. It should extend 0.50" to 0.625" past the top of the hanger. Do not use if end of cable is frayed.



M5 x 6mm set screw  
material: marine stainless (A4)  
pitch: 0.8mm  
cup Ø: 2.5mm  
socket size: 2.5mm

Please refer to this guide for proper cable length and hardware specs and install straddle yokes according to best practices for the given brake type.

Brakes should be installed by a qualified mechanic.

For product questions or comments please write to [sal@shovelresearch.com](mailto:sal@shovelresearch.com)