

TABLE OF CONTENTS 目录

Survival by quality,
development by reputation!



01

COMPANY PROFILE





Zhongshan Hydi Arrow Lock Co.,Ltd was founded in 2007 with a plant area of more than 21,000 square meters. It is a professional lock factory integrating production, research and development, and sales. Survival by quality, development by reputation is our corporate culture.

The main products include various door lock hardware like knob lock、lever lock、handleset、crystal lock and electronic deadbolt lock. It is mainly exported to the United States, Canada, Mexico, Southeast Asia and other countries. Long-term cooperation with many of the world's top 500 building materials and hardware supermarkets.

All the time, we introduce the intelligent manufacturing technology and invest the Auto equipment to improve the production efficiency. We are committed to helping homeowners and Pros improve their homes and business.

Our Vision

Is to be trust and security for your home.

Our Mission

Research and develop high quality, well designed, convenient and safety products to give our customers more values.

Solutions

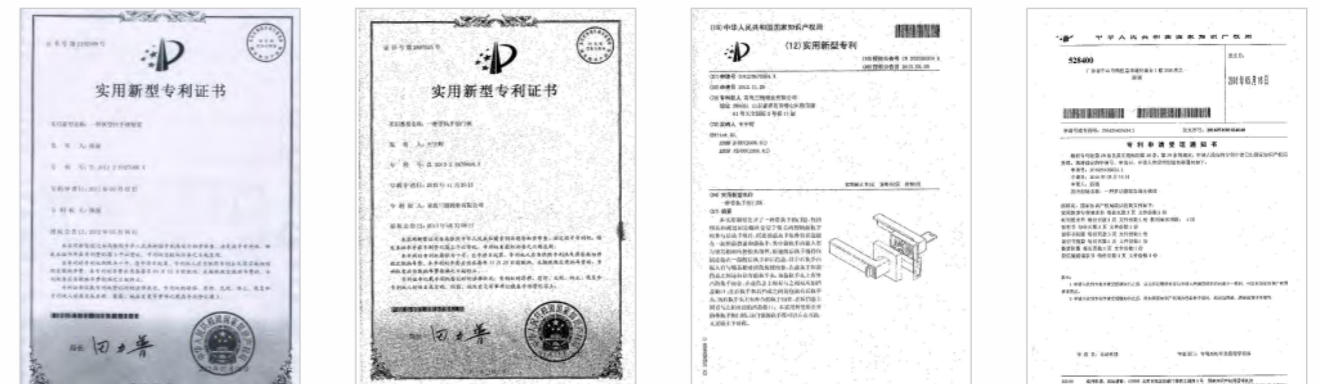
Being one of most professional manufacturers in security hardware business, we stand out in the market and manage to deliver one-stop service to our customers with high quality and reliable products.

We present different solutions for different environments:

- Hotels
- Commercial
- Residential
- Retail
- Construction



Enterprise honor



FINISH DESCRIPTION

FINISH CODE	AB	AC	PB	SB	ORB	TB
FINISH DESCRIPTION	ANTIQUÉ BRASS	ANTIQUÉ COPPER	POLISHED BRASS	SATIN BRASS	OIL RUB BRONZE	TUSCAN BRONZE (ORB WITH HIGHLIGHT)
BHMA	609	N/A	605	606	613	N/A
HAGER	US5	US11	US3	US4	US10B	US11P
						

FINISH CODE	SS	SP	CP	SC	AN	SN
FINISH DESCRIPTION	SATIN STAINLESS STEEL	POLISHED STAINLESS STEEL	BRIGHT CHROME	SATIN CHROME	ANTIQUÉ NICKEL	SATIN NICKEL
BHMA	630	N/A	625	626	620	619
HAGER	US32D	US32	US26	US26D	US17A	US15
						



- Lockase:**
1. Activity latch bolt don't need divided into left and right function
 2. Split shifting plate
 3. Anti insert function
 4. Emergently escape function

Door Thickness:
Standard 35 to 50mm(1.38~1.97")

Backset:
The standard abjustable backset 60mm or 70mm (2-3/4").



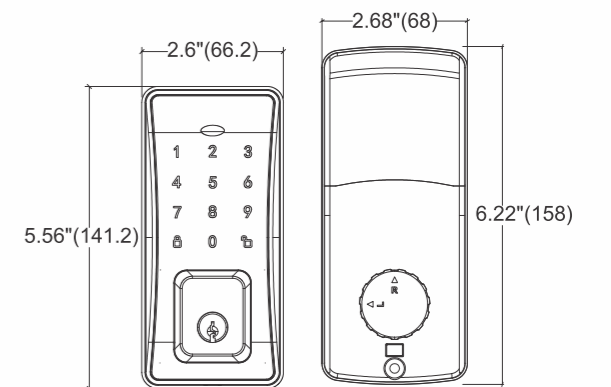
Modern Design Electronic Lock
with Different unlock
Methods: Passcode, Key, Bluetooth





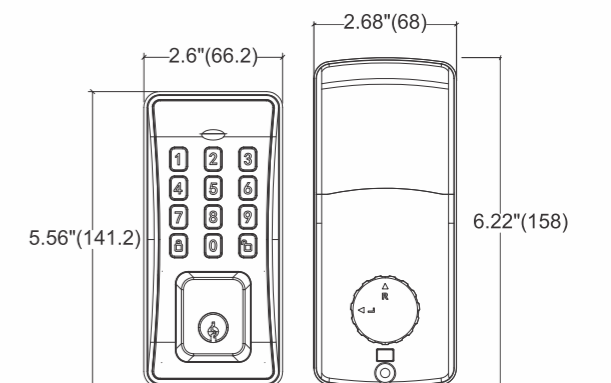
Product specification

Material	Zinc Alloy / ABS
Battery	6V (4*AA batteries)
Standby Current	<40 mA
Action Current	<400 mA
Passwordcapacity	150 pcs
Alarm Voltage	4.5~6.5V
Capacity after alarm	100 pcs
Work Temperature:	-30°C~65°C
Relative humidity :	5% ~95%
Antistatic	Contact discharge >±8kv; Air discharge > ±15kv;
Door thickness	35-45mm
Battery life	12-15 months



Product specification

Material	Zinc Alloy / ABS
Battery	6V (4*AA batteries)
Standby Current	<40 mA
Action Current	<400 mA
Passwordcapacity	150 pcs
Alarm Voltage	4.5~6.5V
Capacity after alarm	100 pcs
Work Temperature:	-30°C~65°C
Relative humidity :	5% ~95%
Antistatic	Contact discharge >±8kv; Air discharge > ±15kv;
Door thickness	35-45mm
Battery life	12-15 months

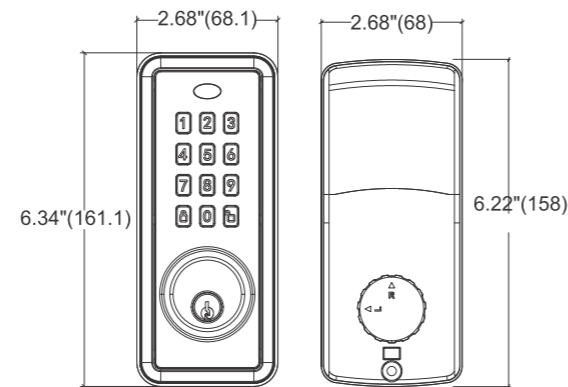




E0223-MB/CP-AY

Product specification

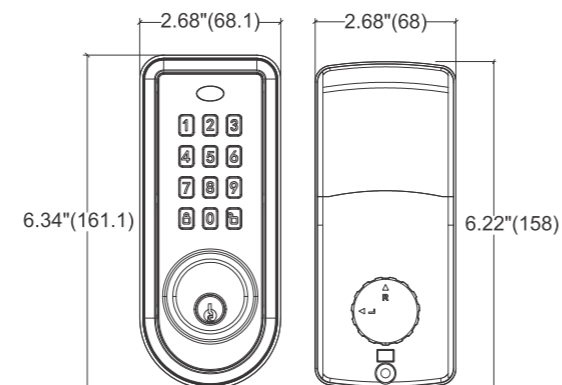
Material	Zinc Alloy / ABS
Battery	6V (4*AA batteries)
Standby Current	<40 mA
Action Current	<400 mA
Passwordcapacity	150 pcs
Alarm Voltage	4.5~6.5V
Capacity after alarm	100 pcs
Work Temperature:	-30°C~65°C
Relative humidity :	5% ~95%
Antistatic	Contact discharge >±8kv; Air discharge > ±15kv;
Door thickness	35-45mm
Battery life	12-15 months



E0225-SN/MB-AY

Product specification

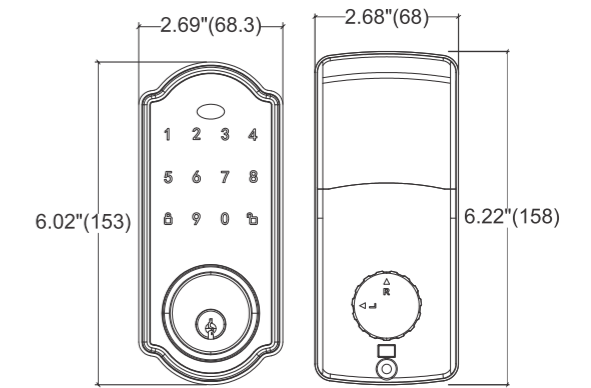
Material	Zinc Alloy / ABS
Battery	6V (4*AA batteries)
Standby Current	<40 mA
Action Current	<400 mA
Passwordcapacity	150 pcs
Alarm Voltage	4.5~6.5V
Capacity after alarm	100 pcs
Work Temperature:	-30°C~65°C
Relative humidity :	5% ~95%
Antistatic	Contact discharge >±8kv; Air discharge > ±15kv;
Door thickness	35-45mm
Battery life	12-15 months



E028-SN-CY

Product specification

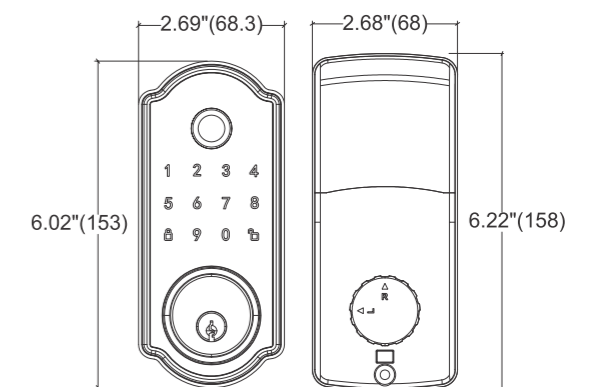
Material	Zinc Alloy / ABS
Battery	6V (4*AA batteries)
Standby Current	<40 mA
Action Current	<400 mA
Passwordcapacity	150 pcs
Alarm Voltage	4.5~6.5V
Capacity after alarm	100 pcs
Work Temperature:	-30°C~65°C
Relative humidity :	5% ~95%
Antistatic	Contact discharge >±8kv; Air discharge > ±15kv;
Door thickness	35-45mm
Battery life	12-15 months



E028-SN-ZCY

Product specification

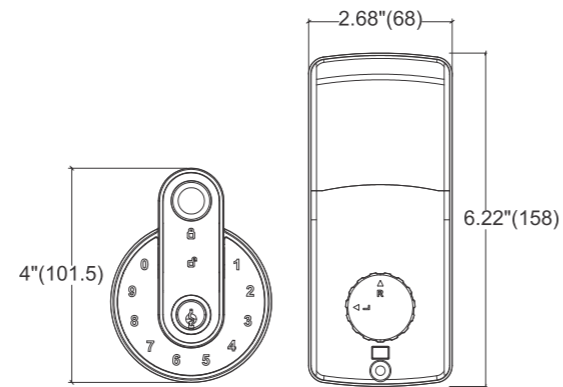
Material	Zinc Alloy / ABS
Battery	6V (4*AA batteries)
Standby Current	<40 mA
Action Current	<400 mA
Fingerprint/ Passwordcapacity	150 pcs
Alarm Voltage	4.5~6.5V
Capacity after alarm	100 pcs
Work Temperature:	-30°C~65°C
Relative humidity :	5% ~95%
Antistatic	Contact discharge >±8kv; Air discharge > ±15kv;
Door thickness	35-45mm
Battery life	12-15 months





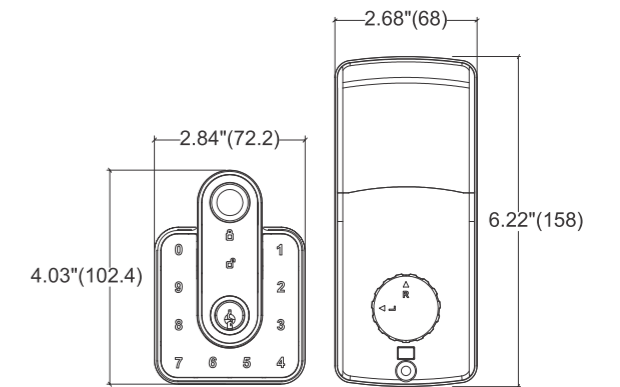
Product specification

Material	Zinc Alloy / ABS
Battery	6V (4*AA batteries)
Standby Current	<40 mA
Action Current	<400 mA
Fingerprint/Passwordcapacity	100 pcs
Alarm Voltage	4.5~6.5V
Capacity after alarm	100 pcs
Work Temperature:	-30°C~65°C
Relative humidity :	5% ~95%
Antistatic	Contact discharge >±8kv; Air discharge > ±15kv;
Door thickness	35-45mm
Battery life	12-15 months



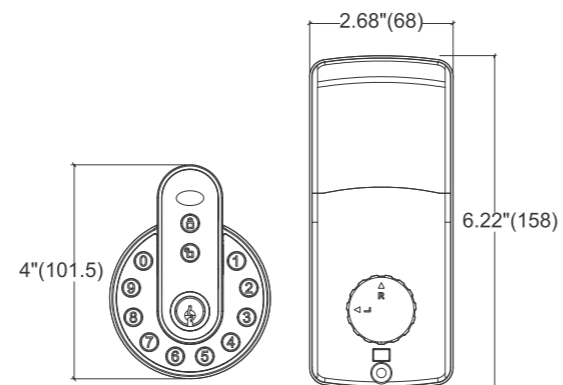
Product specification

Material	Zinc Alloy / ABS
Battery	6V (4*AA batteries)
Standby Current	<40 mA
Action Current	<400 mA
Fingerprint/Passwordcapacity	100 pcs
Alarm Voltage	4.5~6.5V
Capacity after alarm	100 pcs
Work Temperature:	-30°C~65°C
Relative humidity :	5% ~95%
Antistatic	Contact discharge >±8kv; Air discharge > ±15kv;
Door thickness	35-45mm
Battery life	12-15 months



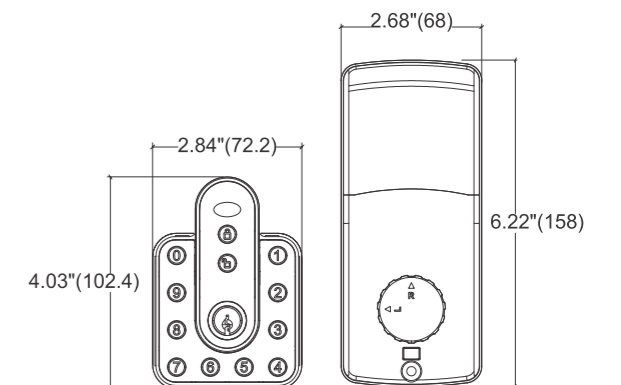
Product specification

Material	Zinc Alloy / ABS
Battery	6V (4*AA batteries)
Standby Current	<40 mA
Action Current	<400 mA
Passwordcapacity	100 pcs
Alarm Voltage	4.5~6.5V
Capacity after alarm	100 pcs
Work Temperature:	-30°C~65°C
Relative humidity :	5% ~95%
Antistatic	Contact discharge >±8kv; Air discharge > ±15kv;
Door thickness	35-45mm
Battery life	12-15 months



Product specification

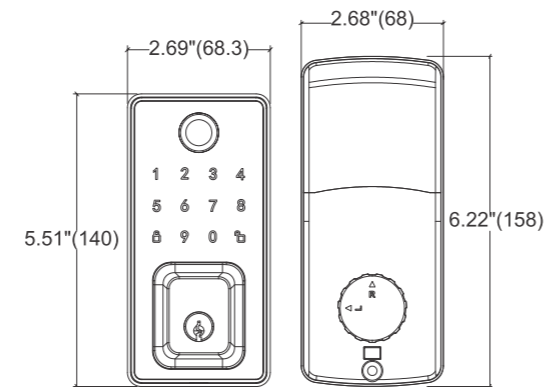
Material	Zinc Alloy / ABS
Battery	6V (4*AA batteries)
Standby Current	<40 mA
Action Current	<400 mA
Passwordcapacity	100 pcs
Alarm Voltage	4.5~6.5V
Capacity after alarm	100 pcs
Work Temperature:	-30°C~65°C
Relative humidity :	5% ~95%
Antistatic	Contact discharge >±8kv; Air discharge > ±15kv;
Door thickness	35-45mm
Battery life	12-15 months





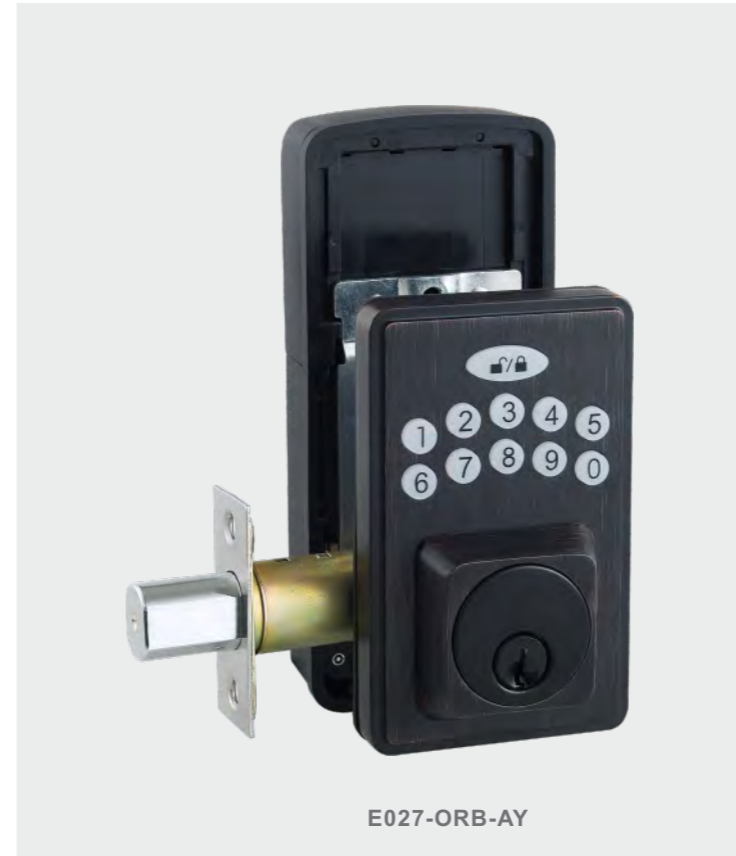
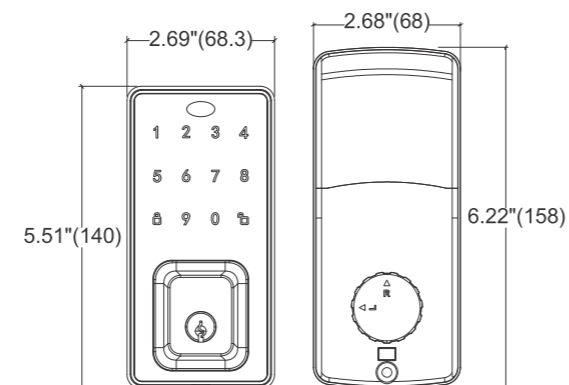
Product specification

Material	Zinc Alloy / ABS
Battery	6V (4*AA batteries)
Standby Current	<40 mA
Action Current	<400 mA
Fingerprint/Passwordcapacity	150 pcs
Alarm Voltage	4.5~6.5V
Capacity after alarm	100 pcs
Work Temperature:	-30°C~65°C
Relative humidity :	5% ~95%
Antistatic	Contact discharge >±8kv; Air discharge > ±15kv;
Door thickness	35-45mm
Battery life	12-15 months



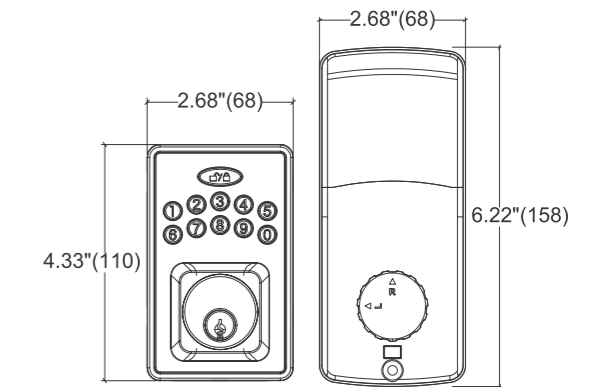
Product specification

Material	Zinc Alloy / ABS
Battery	6V (4*AA batteries)
Standby Current	<40 mA
Action Current	<400 mA
Fingerprint/Passwordcapacity	150 pcs
Alarm Voltage	4.5~6.5V
Capacity after alarm	100 pcs
Work Temperature:	-30°C~65°C
Relative humidity :	5% ~95%
Antistatic	Contact discharge >±8kv; Air discharge > ±15kv;
Door thickness	35-45mm
Battery life	12-15 months



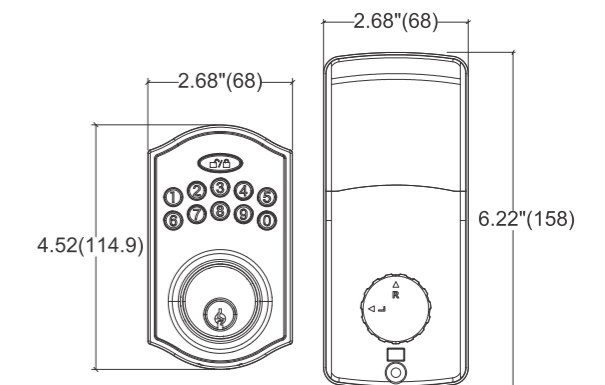
Product specification

Material	Zinc Alloy / ABS
Battery	6V (4*AA batteries)
Standby Current	<40 mA
Action Current	<400 mA
Passwordcapacity	150 pcs
Alarm Voltage	4.5~6.5V
Capacity after alarm	100 pcs
Work Temperature:	-30°C~65°C
Relative humidity :	5% ~95%
Antistatic	Contact discharge >±8kv; Air discharge > ±15kv;
Door thickness	35-45mm
Battery life	12-15 months



Product specification

Material	Zinc Alloy / ABS
Battery	6V (4*AA batteries)
Standby Current	<40 mA
Action Current	<400 mA
Passwordcapacity	150 pcs
Alarm Voltage	4.5~6.5V
Capacity after alarm	100 pcs
Work Temperature:	-30°C~65°C
Relative humidity :	5% ~95%
Antistatic	Contact discharge >±8kv; Air discharge > ±15kv;
Door thickness	35-45mm
Battery life	12-15 months

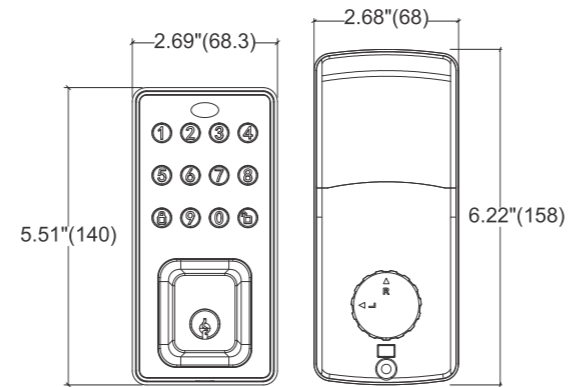




E026A-ORB-AY

Product specification

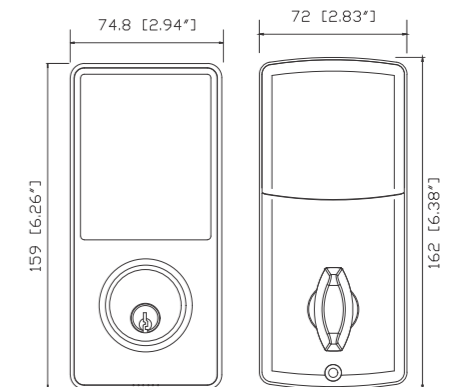
Material	Zinc Alloy / ABS
Battery	6V (4*AA batteries)
Standby Current	<40 mA
Action Current	<400 mA
Passwordcapacity	150 pcs
Alarm Voltage	4.5~6.5V
Capacity after alarm	100 pcs
Work Temperature:	-30°C~65°C
Relative humidity :	5% ~95%
Antistatic	Contact discharge >±8kv; Air discharge > ±15kv;
Door thickness	35-45mm
Battery life	12-15 months



D720T-MB-CY

Product specification

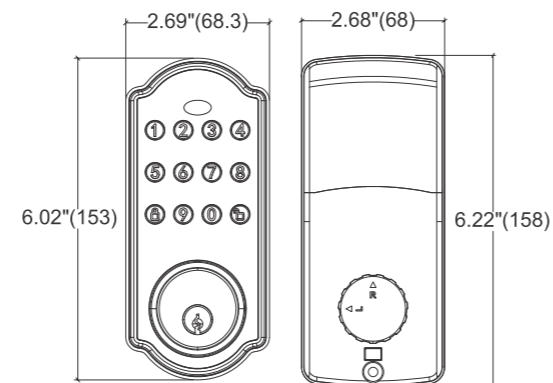
Material	Zinc Alloy / ABS
Battery	6V (4*AA batteries)
Standby Current	<40 mA
Action Current	<400 mA
Passwordcapacity	150 pcs
Alarm Voltage	4.5~6.5V
Capacity after alarm	100 pcs
Work Temperature:	-30°C~65°C
Relative humidity :	5% ~95%
Antistatic	Contact discharge >±8kv; Air discharge > ±15kv;
Door thickness	35-45mm
Battery life	12-15 months



E028A-MB-AY

Product specification

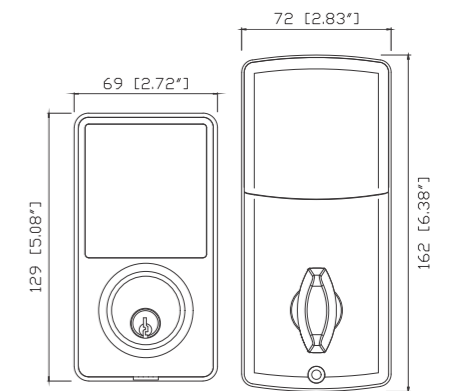
Material	Zinc Alloy / ABS
Battery	6V (4*AA batteries)
Standby Current	<40 mA
Action Current	<400 mA
Passwordcapacity	150 pcs
Alarm Voltage	4.5~6.5V
Capacity after alarm	100 pcs
Work Temperature:	-30°C~65°C
Relative humidity :	5% ~95%
Antistatic	Contact discharge >±8kv; Air discharge > ±15kv;
Door thickness	35-45mm
Battery life	12-15 months



D724T-MB-CY

Product specification

Material	Zinc Alloy / ABS
Battery	6V (4*AA batteries)
Standby Current	<40 mA
Action Current	<400 mA
Passwordcapacity	150 pcs
Alarm Voltage	4.5~6.5V
Capacity after alarm	100 pcs
Work Temperature:	-30°C~65°C
Relative humidity :	5% ~95%
Antistatic	Contact discharge >±8kv; Air discharge > ±15kv;
Door thickness	35-45mm
Battery life	12-15 months

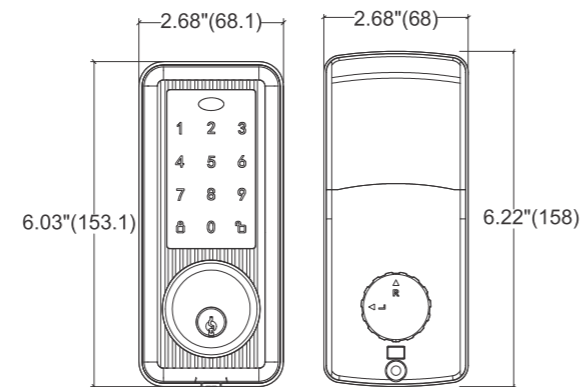




E0215-MB-CKY

Product specification

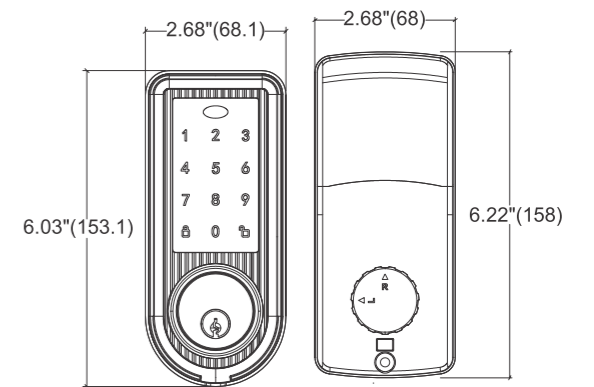
Material	Zinc Alloy / ABS
Battery	6V (4*AA batteries)
Standby Current	<40 mA
Action Current	<400 mA
Passwordcapacity	150 pcs
Alarm Voltage	4.5~6.5V
Capacity after alarm	100 pcs
Work Temperature:	-30°C~65°C
Relative humidity :	5% ~95%
Antistatic	Contact discharge >±8kv; Air discharge > ±15kv;
Door thickness	35-45mm
Battery life	12-15 months



E0216-MB-CKY

Product specification

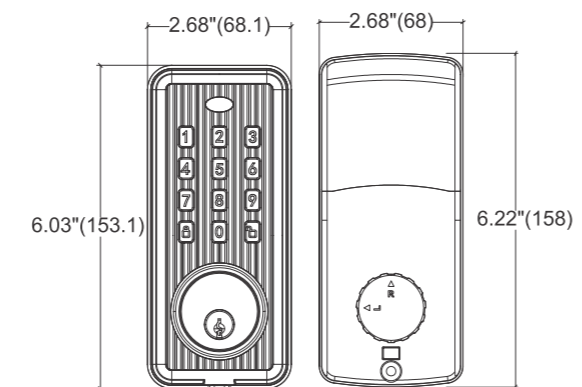
Material	Zinc Alloy / ABS
Battery	6V (4*AA batteries)
Standby Current	<40 mA
Action Current	<400 mA
Passwordcapacity	150 pcs
Alarm Voltage	4.5~6.5V
Capacity after alarm	100 pcs
Work Temperature:	-30°C~65°C
Relative humidity :	5% ~95%
Antistatic	Contact discharge >±8kv; Air discharge > ±15kv;
Door thickness	35-45mm
Battery life	12-15 months



E0215-MB-AY

Product specification

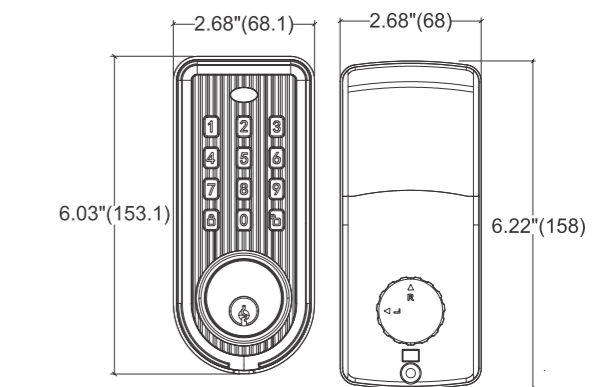
Material	Zinc Alloy / ABS
Battery	6V (4*AA batteries)
Standby Current	<40 mA
Action Current	<400 mA
Passwordcapacity	150 pcs
Alarm Voltage	4.5~6.5V
Capacity after alarm	100 pcs
Work Temperature:	-30°C~65°C
Relative humidity :	5% ~95%
Antistatic	Contact discharge >±8kv; Air discharge > ±15kv;
Door thickness	35-45mm
Battery life	12-15 months



E0216-MB-AY

Product specification

Material	Zinc Alloy / ABS
Battery	6V (4*AA batteries)
Standby Current	<40 mA
Action Current	<400 mA
Passwordcapacity	150 pcs
Alarm Voltage	4.5~6.5V
Capacity after alarm	100 pcs
Work Temperature:	-30°C~65°C
Relative humidity :	5% ~95%
Antistatic	Contact discharge >±8kv; Air discharge > ±15kv;
Door thickness	35-45mm
Battery life	12-15 months

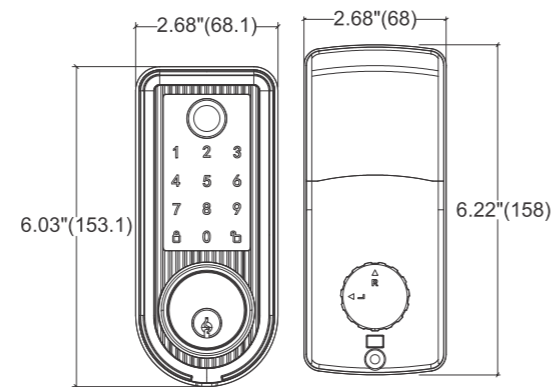




E0216-MB-ZCKY

Product specification

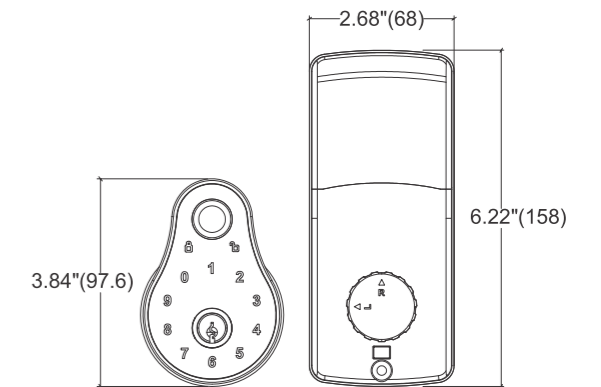
Material	Zinc Alloy / ABS
Battery	6V (4*AA batteries)
Standby Current	<40 mA
Action Current	<400 mA
Fingerprint/Passwordcapacity	150 pcs
Alarm Voltage	4.5~6.5V
Capacity after alarm	100 pcs
Work Temperature:	-30°C~65°C
Relative humidity :	5% ~95%
Antistatic	Contact discharge >±8kv; Air discharge > ±15kv;
Door thickness	35-45mm
Battery life	12-15 months



E0210-SN-ZCY

Product specification

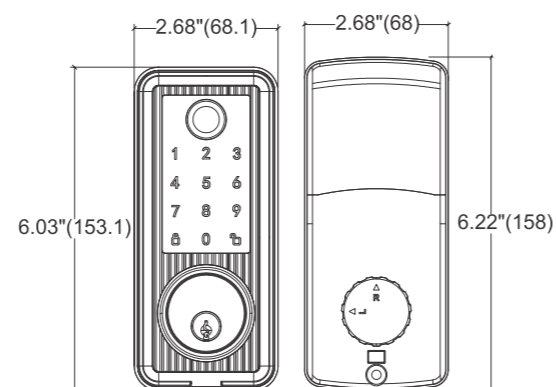
Material	Zinc Alloy / ABS
Battery	6V (4*AA batteries)
Standby Current	<40 mA
Action Current	<400 mA
Fingerprint/Passwordcapacity	150 pcs
Alarm Voltage	4.5~6.5V
Capacity after alarm	100 pcs
Work Temperature:	-30°C~65°C
Relative humidity :	5% ~95%
Antistatic	Contact discharge >±8kv; Air discharge > ±15kv;
Door thickness	35-45mm
Battery life	12-15 months



E0215-MB-ZCKY

Product specification

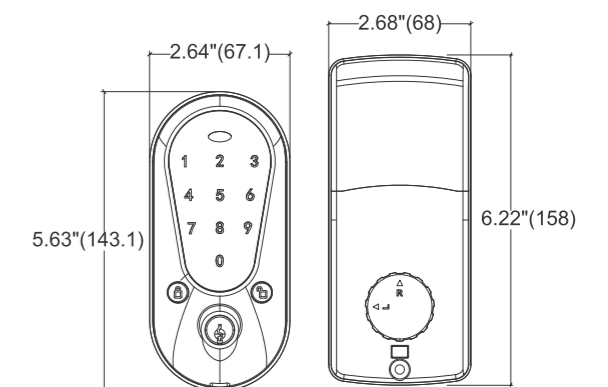
Material	Zinc Alloy / ABS
Battery	6V (4*AA batteries)
Standby Current	<40 mA
Action Current	<400 mA
Fingerprint/Passwordcapacity	150 pcs
Alarm Voltage	4.5~6.5V
Capacity after alarm	100 pcs
Work Temperature:	-30°C~65°C
Relative humidity :	5% ~95%
Antistatic	Contact discharge >±8kv; Air discharge > ±15kv;
Door thickness	35-45mm
Battery life	12-15 months



E0211-SN-CY

Product specification

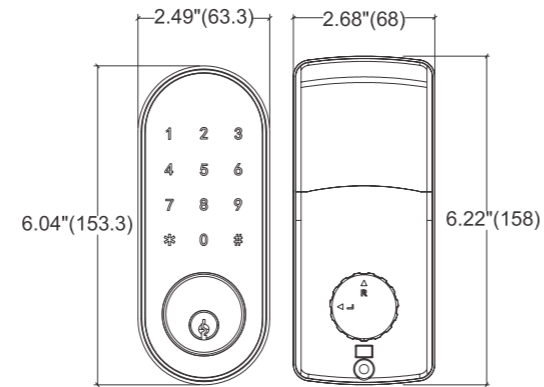
Material	Zinc Alloy / ABS
Battery	6V (4*AA batteries)
Standby Current	<40 mA
Action Current	<400 mA
Passwordcapacity	150 pcs
Alarm Voltage	4.5~6.5V
Capacity after alarm	100 pcs
Work Temperature:	-30°C~65°C
Relative humidity :	5% ~95%
Antistatic	Contact discharge >±8kv; Air discharge > ±15kv;
Door thickness	35-45mm
Battery life	12-15 months





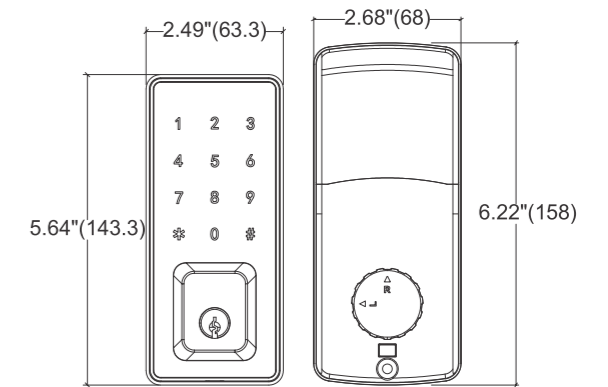
Product specification

Material	Zinc Alloy / ABS
Battery	6V (4*AA batteries)
Standby Current	<40 mA
Action Current	<400 mA
Passwordcapacity	150 pcs
Alarm Voltage	4.5~6.5V
Capacity after alarm	100 pcs
Work Temperature:	-30°C~65°C
Relative humidity :	5% ~95%
Antistatic	Contact discharge >±8kv; Air discharge > ±15kv;
Door thickness	35-45mm
Battery life	12-15 months



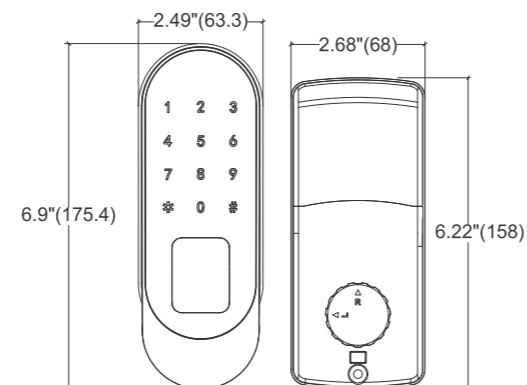
Product specification

Material	Zinc Alloy / ABS
Battery	6V (4*AA batteries)
Standby Current	<40 mA
Action Current	<400 mA
Passwordcapacity	150 pcs
Alarm Voltage	4.5~6.5V
Capacity after alarm	100 pcs
Work Temperature:	-30°C~65°C
Relative humidity :	5% ~95%
Antistatic	Contact discharge >±8kv; Air discharge > ±15kv;
Door thickness	35-45mm
Battery life	12-15 months



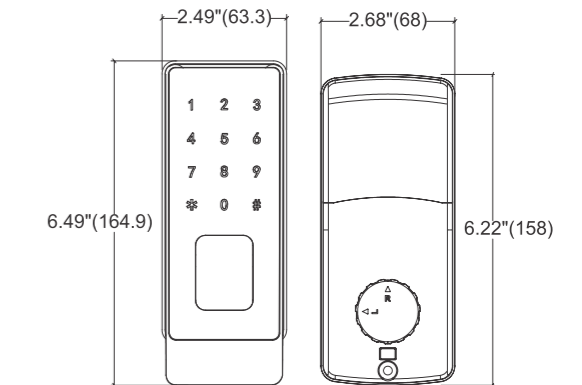
Product specification

Material	Zinc Alloy / ABS
Battery	6V (4*AA batteries)
Standby Current	<40 mA
Action Current	<400 mA
Passwordcapacity	150 pcs
Alarm Voltage	4.5~6.5V
Capacity after alarm	100 pcs
Work Temperature:	-30°C~65°C
Relative humidity :	5% ~95%
Antistatic	Contact discharge >±8kv; Air discharge > ±15kv;
Door thickness	35-45mm
Battery life	12-15 months



Product specification

Material	Zinc Alloy / ABS
Battery	6V (4*AA batteries)
Standby Current	<40 mA
Action Current	<400 mA
Passwordcapacity	150 pcs
Alarm Voltage	4.5~6.5V
Capacity after alarm	100 pcs
Work Temperature:	-30°C~65°C
Relative humidity :	5% ~95%
Antistatic	Contact discharge >±8kv; Air discharge > ±15kv;
Door thickness	35-45mm
Battery life	12-15 months

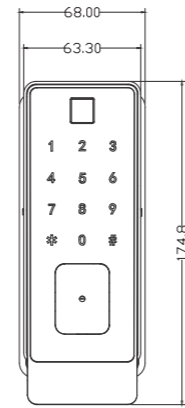




E023-SN-ZCLY

Product specification

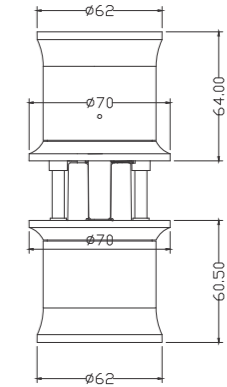
Material	Zinc Alloy / ABS
Battery	6V (4*AA batteries)
Standby Current	<40 mA
Action Current	<400 mA
Fingerprint/ Passwordcapacity	150 pcs
Alarm Voltage	4.5~6.5V
Capacity after alarm	100 pcs
Work Temperature:	-30°C~65°C
Relative humidity :	5% ~95%
Antistatic	Contact discharge >±8kv; Air discharge > ±15kv;
Door thickness	35-45mm
Battery life	12-15 months



E030-SN-A

Product specification

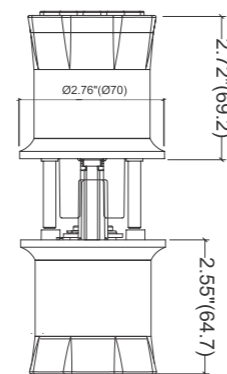
Material	Zinc Alloy / ABS
Battery	6V (4*AAA batteries)
Standby Current	<40 mA
Action Current	<250 mA
Passwordcapacity	100 pcs
Alarm Voltage	4.5~6.5V
Capacity after alarm	100 pcs
Work Temperature:	-30°C~65°C
Relative humidity :	5% ~95%
Antistatic	Contact discharge >±8kv; Air discharge > ±15kv;
Door thickness	33-52mm
Battery life	12-15 months



E030-ORB-AY

Product specification

Material	Zinc Alloy / ABS
Battery	6V (4*AAA batteries)
Standby Current	<40 mA
Action Current	<250 mA
Passwordcapacity	100 pcs
Alarm Voltage	4.5~6.5V
Capacity after alarm	100 pcs
Work Temperature:	-30°C~65°C
Relative humidity :	5% ~95%
Antistatic	Contact discharge >±8kv; Air discharge > ±15kv;
Door thickness	33-52mm
Battery life	12-15 months



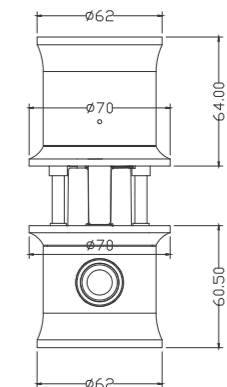
E030-AY



E030-SN-ZCKL

Product specification

Material	Zinc Alloy / ABS
Battery	6V (4*AAA batteries)
Standby Current	<40 mA
Action Current	<250 mA
Fingerprint/ Card Passwordcapacity	100 pcs
Alarm Voltage	4.5~6.5V
Capacity after alarm	100 pcs
Work Temperature:	-30°C~65°C
Relative humidity :	5% ~95%
Antistatic	Contact discharge >±8kv; Air discharge > ±15kv;
Door thickness	33-52mm
Battery life	12-15 months

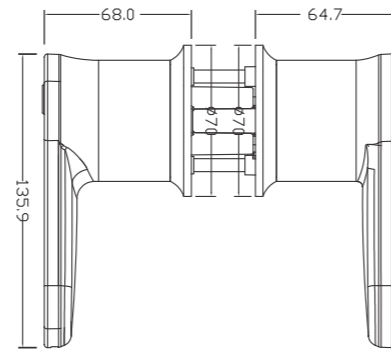




E031-ORB-ZCY

Product specification

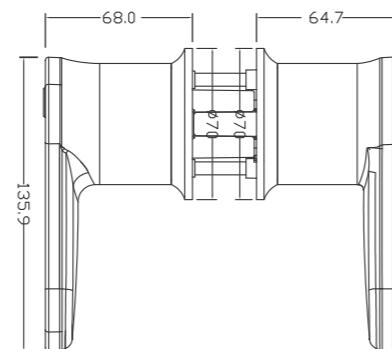
Material	Zinc Alloy / ABS
Battery	6V (4*AAA batteries)
Standby Current	<40 mA
Action Current	<250 mA
Fingerprint/Passwordcapacity	100 pcs
Alarm Voltage	4.5~6.5V
Capacity after alarm	100 pcs
Work Temperature:	-30°C~65°C
Relative humidity :	5% ~95%
Antistatic	Contact discharge >±8kv; Air discharge > ±15kv;
Door thickness	33-52mm
Battery life	12-15 months



E031-SN-CY

Product specification

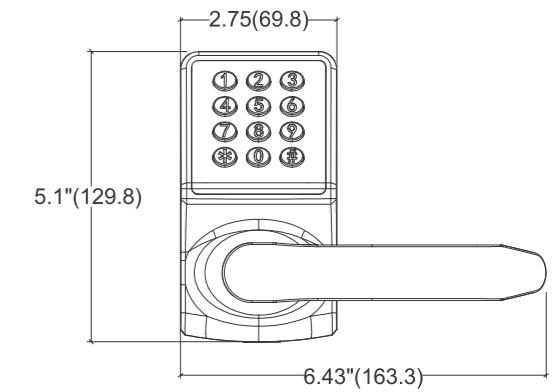
Material	Zinc Alloy / ABS
Battery	6V (4*AAA batteries)
Standby Current	<40 mA
Action Current	<250 mA
Passwordcapacity	100 pcs
Alarm Voltage	4.5~6.5V
Capacity after alarm	100 pcs
Work Temperature:	-30°C~65°C
Relative humidity :	5% ~95%
Antistatic	Contact discharge >±8kv; Air discharge > ±15kv;
Door thickness	33-52mm
Battery life	12-15 months



E011-11-MB-AKY

Product specification

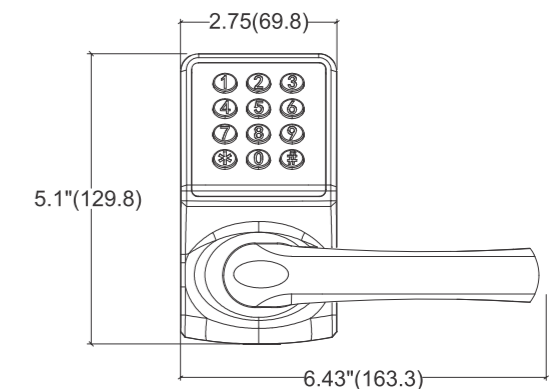
Material	Zinc Alloy / ABS
Battery	6V (4*AAA batteries)
Standby Current	<40 mA
Action Current	<250 mA
Card / Passwordcapacity	100 pcs
Alarm Voltage	4.5~6.5V
Capacity after alarm	100 pcs
Work Temperature:	-30°C~65°C
Relative humidity :	5% ~95%
Antistatic	Contact discharge >±8kv; Air discharge > ±15kv;
Door thickness	33-52mm
Battery life	12-15 months



E011-10-SN-AKY

Product specification

Material	Zinc Alloy / ABS
Battery	6V (4*AAA batteries)
Standby Current	<40 mA
Action Current	<250 mA
Card / Passwordcapacity	100 pcs
Alarm Voltage	4.5~6.5V
Capacity after alarm	100 pcs
Work Temperature:	-30°C~65°C
Relative humidity :	5% ~95%
Antistatic	Contact discharge >±8kv; Air discharge > ±15kv;
Door thickness	33-52mm
Battery life	12-15 months

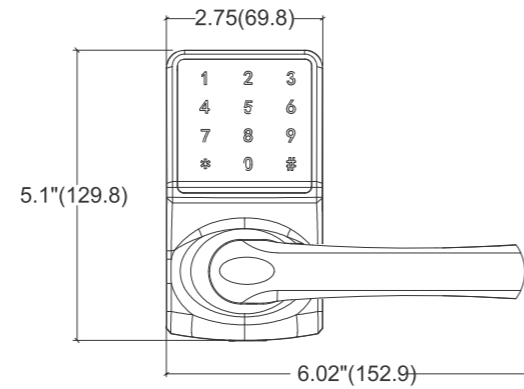




E011-10-MB-CKY

Product specification

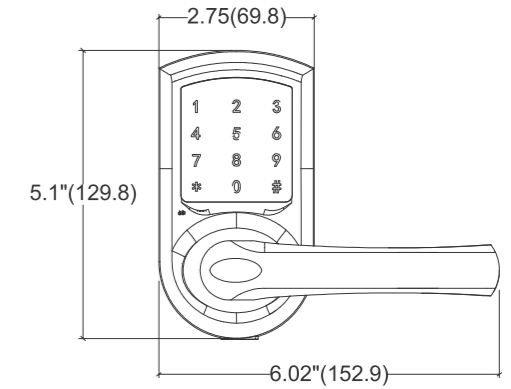
Material	Zinc Alloy / ABS
Battery	6V (4*AAA batteries)
Standby Current	<40 mA
Action Current	<250 mA
Card / Passwordcapacity	100 pcs
Alarm Voltage	4.5~6.5V
Capacity after alarm	100 pcs
Work Temperature:	-30°C~65°C
Relative humidity :	5% ~95%
Antistatic	Contact discharge >±8kv; Air discharge > ±15kv;
Door thickness	33-52mm
Battery life	12-15 months



E010-10-ORB-CKY

Product specification

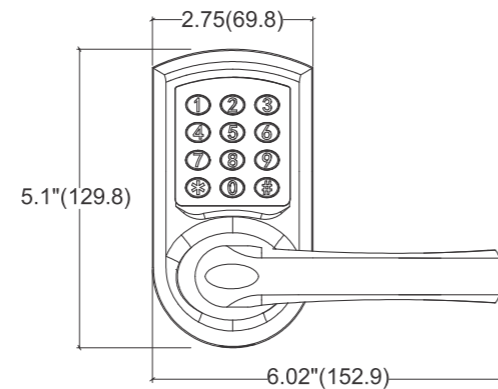
Material	Zinc Alloy / ABS
Battery	6V (4*AAA batteries)
Standby Current	<40 mA
Action Current	<250 mA
Card / Passwordcapacity	100 pcs
Alarm Voltage	4.5~6.5V
Capacity after alarm	100 pcs
Work Temperature:	-30°C~65°C
Relative humidity :	5% ~95%
Antistatic	Contact discharge >±8kv; Air discharge > ±15kv;
Door thickness	33-52mm
Battery life	12-15 months



E010-10-SN-AKY

Product specification

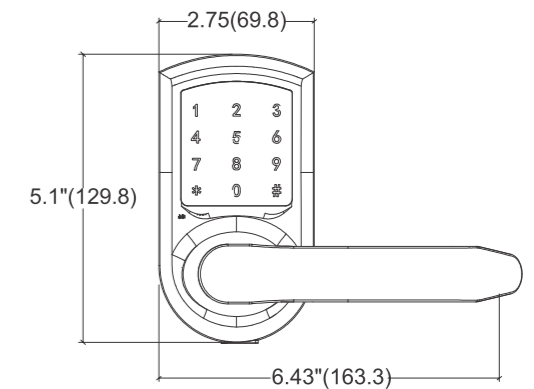
Material	Zinc Alloy / ABS
Battery	6V (4*AAA batteries)
Standby Current	<40 mA
Action Current	<250 mA
Card / Passwordcapacity	100 pcs
Alarm Voltage	4.5~6.5V
Capacity after alarm	100 pcs
Work Temperature:	-30°C~65°C
Relative humidity :	5% ~95%
Antistatic	Contact discharge >±8kv; Air discharge > ±15kv;
Door thickness	33-52mm
Battery life	12-15 months



E010-11-SN-CKY

Product specification

Material	Zinc Alloy / ABS
Battery	6V (4*AAA batteries)
Standby Current	<40 mA
Action Current	<250 mA
Card / Passwordcapacity	100 pcs
Alarm Voltage	4.5~6.5V
Capacity after alarm	100 pcs
Work Temperature:	-30°C~65°C
Relative humidity :	5% ~95%
Antistatic	Contact discharge >±8kv; Air discharge > ±15kv;
Door thickness	33-52mm
Battery life	12-15 months

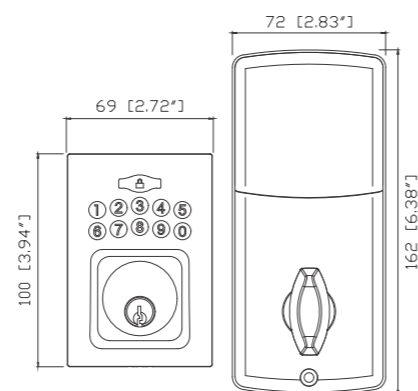




D701-SN-AY

Product specification

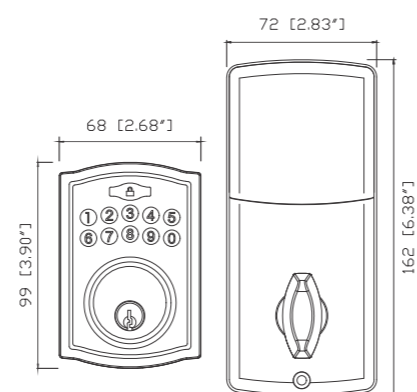
Material	Zinc Alloy / ABS
Battery	6V (4*AA batteries)
Standby Current	<40 mA
Action Current	<400 mA
Passwordcapacity	100 pcs
Alarm Voltage	4.5~6.5V
Capacity after alarm	100 pcs
Work Temperature:	-30°C~65°C
Relative humidity :	5% ~95%
Antistatic	Contact discharge >±8kv; Air discharge > ±15kv;
Door thickness	35-45mm
Battery life	12-15 months



D702-MB-AY

Product specification

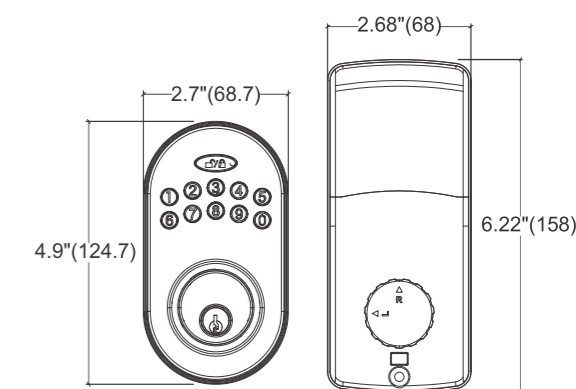
Material	Zinc Alloy / ABS
Battery	6V (4*AA batteries)
Standby Current	<40 mA
Action Current	<400 mA
Passwordcapacity	100 pcs
Alarm Voltage	4.5~6.5V
Capacity after alarm	100 pcs
Work Temperature:	-30°C~65°C
Relative humidity :	5% ~95%
Antistatic	Contact discharge >±8kv; Air discharge > ±15kv;
Door thickness	35-45mm
Battery life	12-15 months



E0221-MB-AY

Product specification

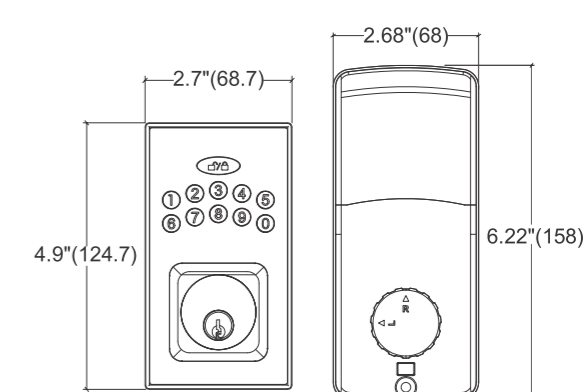
Material	Zinc Alloy / ABS
Battery	6V (4*AA batteries)
Standby Current	<40 mA
Action Current	<400 mA
Passwordcapacity	100 pcs
Alarm Voltage	4.5~6.5V
Capacity after alarm	100 pcs
Work Temperature:	-30°C~65°C
Relative humidity :	5% ~95%
Antistatic	Contact discharge >±8kv; Air discharge > ±15kv;
Door thickness	35-45mm
Battery life	12-15 months



E0222-SN-AY

Product specification

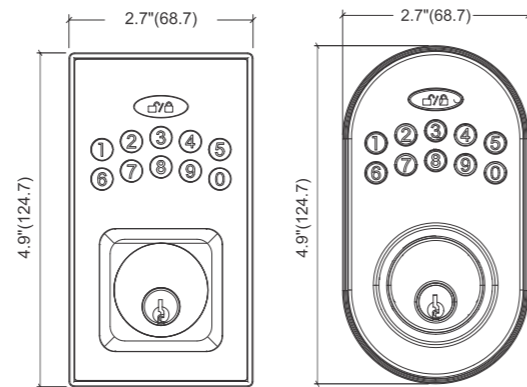
Material	Zinc Alloy / ABS
Battery	6V (4*AA batteries)
Standby Current	<40 mA
Action Current	<400 mA
Passwordcapacity	100 pcs
Alarm Voltage	4.5~6.5V
Capacity after alarm	100 pcs
Work Temperature:	-30°C~65°C
Relative humidity :	5% ~95%
Antistatic	Contact discharge >±8kv; Air discharge > ±15kv;
Door thickness	35-45mm
Battery life	12-15 months





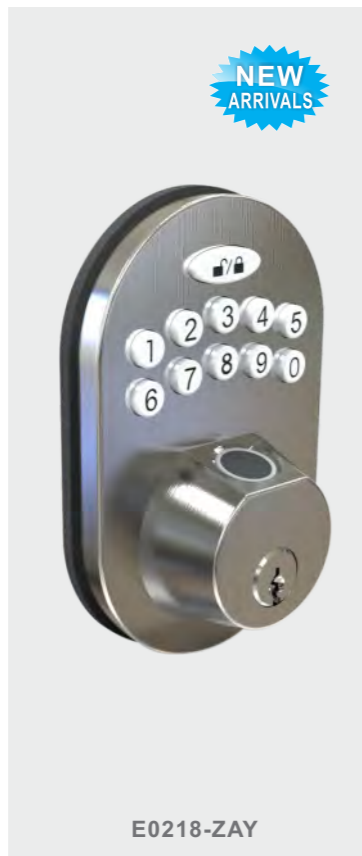
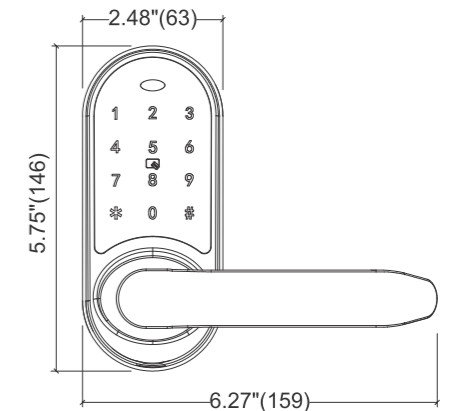
Product specification

Material	aluminium alloy +ABS
Battery	6V (4*AA batteries)
Standby Current	<40 mA
Action Current	<400 mA
Passwordcapacity	100 pcs
Alarm Voltage	4.5~6.5V
Capacity after alarm	100 pcs
Work Temperature:	-30°C~65°C
Relative humidity :	5% ~95%
Antistatic	Contact discharge >±8kv; Air discharge > ±15kv;
Door thickness	35-45mm
Battery life	12-15 months



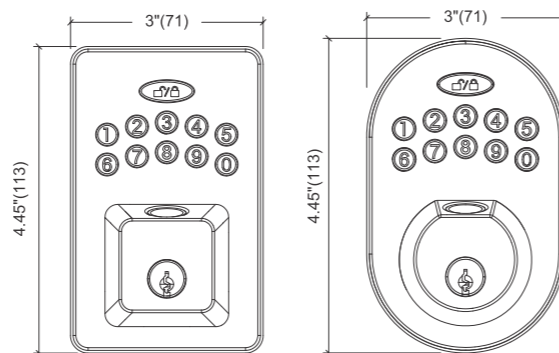
Product specification

Material	aluminium alloy +ABS
Battery	6V (4*AAA batteries)
Standby Current	<40 mA
Action Current	<250 mA
Card / Passwordcapacity	100 pcs
Alarm Voltage	4.5~6.5V
Capacity after alarm	100 pcs
Work Temperature:	-30°C~65°C
Relative humidity :	5% ~95%
Antistatic	Contact discharge >±8kv; Air discharge > ±15kv;
Door thickness	33-52mm
Battery life	12-15 months



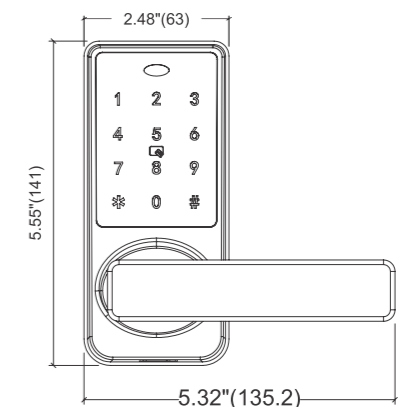
Product specification

Material	aluminium alloy +ABS
Battery	6V (4*AAA batteries)
Standby Current	<40 mA
Action Current	<250 mA
Fingerprint/ Card Passwordcapacity	100 pcs
Alarm Voltage	4.5~6.5V
Capacity after alarm	100 pcs
Work Temperature:	-30°C~65°C
Relative humidity :	5% ~95%
Antistatic	Contact discharge >±8kv; Air discharge > ±15kv;
Door thickness	33-52mm
Battery life	12-15 months



Product specification

Material	aluminium alloy +ABS
Battery	6V (4*AAA batteries)
Standby Current	<40 mA
Action Current	<250 mA
Card / Passwordcapacity	100 pcs
Alarm Voltage	4.5~6.5V
Capacity after alarm	100 pcs
Work Temperature:	-30°C~65°C
Relative humidity :	5% ~95%
Antistatic	Contact discharge >±8kv; Air discharge > ±15kv;
Door thickness	33-52mm
Battery life	12-15 months



03

**ELECTRONIC
LOCKS WITH HANDLE**

Conforms With
ANSI GRADE 3
Exceeds 250,000 cycles

Cylinders:
5-pin cylinder with nickel plated keys lock.
The lock are supplied with standard 5-pin keys.

Door Thickness:
Standard 35 to 45mm (1-3/8 to 1-3/4").

Backset:
The standard adjustable backset 60mm or 70mm (2-3/4").

- Exquisite workmanship and craftsman spirit
- Simple installation, Convenient and fast !
- Zinc alloy plate
- Modern Concise style
- Noble Baking Black Finish
- Simple structure, Sturdy and durable
- Comfortable soft press key

ANSI GRADE 3

ELECTRONIC LOCKS WITH HANDLE

Product specification

Material	Zinc Alloy / ABS
Battery	6V (4*AA batteries)
Standby Current	<40 mA
Action Current	<400 mA
Passwordcapacity	100 pcs
Alarm Voltage	4.5-6.5V
Capacity after alarm	100 pcs
Work Temperature:	-30°C-65°C
Relative humidity :	5% -95%
Antistatic	Contact discharge >±8kv; Air discharge > ±15kv;
Door thickness	35-45mm
Battery life	12-15 months

1160E-SN/MB-AY

Product specification

Material	Zinc Alloy / ABS
Battery	6V (4*AA batteries)
Standby Current	<40 mA
Action Current	<400 mA
Passwordcapacity	100 pcs
Alarm Voltage	4.5-6.5V
Capacity after alarm	100 pcs
Work Temperature:	-30°C-65°C
Relative humidity :	5% -95%
Antistatic	Contact discharge >±8kv; Air discharge > ±15kv;
Door thickness	35-45mm
Battery life	12-15 months

1150E-MB/CP-AY

Product specification

Material	Zinc Alloy / ABS
Battery	6V (4*AA batteries)
Standby Current	<40 mA
Action Current	<400 mA
Passwordcapacity	100 pcs
Alarm Voltage	4.5-6.5V
Capacity after alarm	100 pcs
Work Temperature:	-30°C-65°C
Relative humidity :	5% -95%
Antistatic	Contact discharge >±8kv; Air discharge > ±15kv;
Door thickness	35-45mm
Battery life	12-15 months

1170E-SN/MB-AY

Product specification

Material	Zinc Alloy / ABS
Battery	6V (4*AA batteries)
Standby Current	<40 mA
Action Current	<400 mA
Passwordcapacity	100 pcs
Alarm Voltage	4.5-6.5V
Capacity after alarm	100 pcs
Work Temperature:	-30°C-65°C
Relative humidity :	5% -95%
Antistatic	Contact discharge >±8kv; Air discharge > ±15kv;
Door thickness	35-45mm
Battery life	12-15 months

1180E-MB/CP-AY

Product specification

Material	Zinc Alloy / ABS
Battery	6V (4*AA batteries)
Standby Current	<40 mA
Action Current	<400 mA
Passwordcapacity	100 pcs
Alarm Voltage	4.5~6.5V
Capacity after alarm	100 pcs
Work Temperature:	-30°C~65°C
Relative humidity :	5% ~95%
Antistatic	Contact discharge >±8kv; Air discharge > ±15kv;
Door thickness	35-45mm
Battery life	12-15 months



1181E-SN-AY

Product specification

Material	Zinc Alloy / ABS
Battery	6V (4*AA batteries)
Standby Current	<40 mA
Action Current	<400 mA
Passwordcapacity	100 pcs
Alarm Voltage	4.5~6.5V
Capacity after alarm	100 pcs
Work Temperature:	-30°C~65°C
Relative humidity :	5% ~95%
Antistatic	Contact discharge >±8kv; Air discharge > ±15kv;
Door thickness	35-45mm
Battery life	12-15 months



1171E-MB-AY

Product specification

Material	Zinc Alloy / ABS
Battery	6V (4*AA batteries)
Standby Current	<40 mA
Action Current	<400 mA
Passwordcapacity	100 pcs
Alarm Voltage	4.5~6.5V
Capacity after alarm	100 pcs
Work Temperature:	-30°C~65°C
Relative humidity :	5% ~95%
Antistatic	Contact discharge >±8kv; Air discharge > ±15kv;
Door thickness	35-45mm
Battery life	12-15 months



1182E-MB-AY

Product specification

Material	Zinc Alloy / ABS
Battery	6V (4*AA batteries)
Standby Current	<40 mA
Action Current	<400 mA
Passwordcapacity	100 pcs
Alarm Voltage	4.5~6.5V
Capacity after alarm	100 pcs
Work Temperature:	-30°C~65°C
Relative humidity :	5% ~95%
Antistatic	Contact discharge >±8kv; Air discharge > ±15kv;
Door thickness	35-45mm
Battery life	12-15 months



1172E-SN-AY

**04
HANDLESET**

Conforms With
ANSI GRADE 3
Exceeds 250,000 cycles

Cylinders:
5-pin cylinder with nickel plated keys lock. The lock are supplied with standard 5-pin keys. The cylinder are available for master key, grand masterkey and construction key.

Door Thickness:
Standard 35 to 45mm (1-3/8 to 1-3/4").

Backset:
The standard adjustable backset 60mm or 70mm (2-3/4").

Line	Item	Line	Item
1	Key	9	Handle
2	Cylinder Assembly	10	Chipware
3	Decorative Trim	11	Screw
4	Latch Assembly	12	Latch Assembly
5	Turn knob Assembly	13	Back knob
6	Screw	14	Screw
7	Press Button		
8	Press Button place		





Material: Zinc alloy

Function: Single handle
Double Handle
Dummy Handle

Deadbolt: Single cylinder
Double cylinder

1182-SN

Material: Zinc alloy

Function: Single handle
Double Handle
Dummy Handle

Deadbolt: Single cylinder
Double cylinder

1172-MB

Material: Zinc alloy

Function: Single handle
Double Handle
Dummy Handle

Deadbolt: Single cylinder
Double cylinder

1181-MB

Material: Zinc alloy

Function: Single handle
Double Handle
Dummy Handle

Deadbolt: Single cylinder
Double cylinder

1171-MB

Material: Zinc alloy

Function: Single handle
Double Handle
Dummy Handle

Deadbolt: Single cylinder
Double cylinder

1180-SN/MB

Material: Zinc alloy

Function: Single handle
Double Handle
Dummy Handle

Deadbolt: Single cylinder
Double cylinder

1170-SN/MB

Material: Zinc alloy

Function: Single handle
Double Handle
Dummy Handle

Deadbolt: Single cylinder
Double cylinder

1185-MB

Material: Zinc alloy

Function: Single handle
Double Handle
Dummy Handle

Deadbolt: Single cylinder
Double cylinder

404-MB

Material: Zinc alloy

Function: Single handle
Double Handle
Dummy Handle

Deadbolt: Single cylinder
Double cylinder

1160 MB/CHROME

Material: Zinc alloy / stainless steel

Function: Single handle
Double Handle
Dummy Handle

Deadbolt: Single cylinder
Double cylinder

1140-SN

Material: Zinc alloy / stainless steel

Function: Single handle
Double Handle
Dummy Handle

Deadbolt: Single cylinder
Double cylinder

1130-SN

Material: Zinc alloy

Function: Single handle
Double Handle
Dummy Handle

Deadbolt: Single cylinder
Double cylinder

L20-ORB

Material: Zinc alloy

Function: Single handle
Double Handle
Dummy Handle

Deadbolt: Single cylinder
Double cylinder

71289-MB

Material: Zinc alloy

Function: Single handle
Double Handle
Dummy Handle

Deadbolt: Single cylinder
Double cylinder

1150-SN/MB

Material: Zinc alloy

Function: Single handle
Double Handle
Dummy Handle

Deadbolt: Single cylinder
Double cylinder

NEW ARRIVALS

F169+800

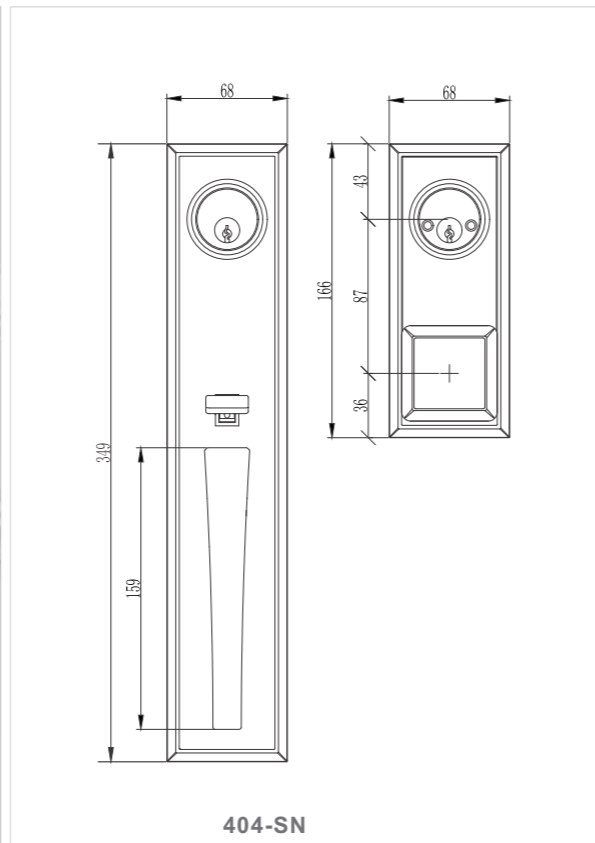
Material: Zinc alloy

Function: Single handle
Double Handle
Dummy Handle

Deadbolt: Single cylinder
Double cylinder

NEW ARRIVALS

Y166+1130



404-SN

Material: Zinc alloy

Function: Single handle
Double Handle
Dummy Handle

Deadbolt: Single cylinder
Double cylinder

127mm
5"
214mm
8-3/8"

71219-SN

Material: Zinc alloy

Function: Single handle
Double Handle
Dummy Handle

Deadbolt: Single cylinder
Double cylinder

127mm
5"
214mm
8-3/8"

71299-SN

Material: Zinc alloy

Function: Single handle
Double Handle
Dummy Handle

Deadbolt: Single cylinder
Double cylinder

127mm
5"
214mm
8-3/8"

406-MB

Material: Zinc alloy

Function: Single handle
Double Handle
Dummy Handle

Deadbolt: Single cylinder
Double cylinder

61
90
65
73
111
288
107
66
15
37

9221-ORB

Material: Zinc alloy

Function: Single handle
Double Handle
Dummy Handle

Deadbolt: Single cylinder
Double cylinder

127mm
5"
214mm
8-3/8"

71219L-MB

Material: Zinc alloy

Function: Single handle
Double Handle
Dummy Handle

Deadbolt: Single cylinder
Double cylinder

127mm
5"
214mm
8-3/8"

71299L-AB

Material: Zinc alloy

Function: Single handle
Double Handle
Dummy Handle

Deadbolt: Single cylinder
Double cylinder

127mm 5"
214mm 8-3/8"

71599-SCP

Material: Zinc alloy

Function: Single handle
Double Handle
Dummy Handle

Deadbolt: Single cylinder
Double cylinder

127mm 5"
214mm 8-3/8"

71399-AB

Material: Zinc alloy

Function: Single handle
Double Handle
Dummy Handle

Deadbolt: Single cylinder
Double cylinder

127mm 5"
214mm 8-3/8"

71699-AB

Material: Zinc alloy

Function: Single handle
Double Handle
Dummy Handle

Deadbolt: Single cylinder
Double cylinder

127mm 5"
214mm 8-3/8"

800-SN

Material: Zinc alloy

Function: Single handle
Double Handle
Dummy Handle

Deadbolt: Single cylinder
Double cylinder

62.5 (2.46")
82 (3.23")
69 (2.71")
266 (10.47")
41 (1.61")

9850L-SN

Material: Zinc alloy

Function: Single handle
Double Handle
Dummy Handle

Deadbolt: Single cylinder
Double cylinder

127mm 5"
171.5mm 6-3/8"

70610-AB

Material: Zinc alloy

Function: Single handle
Double Handle
Dummy Handle

Deadbolt: Single cylinder
Double cylinder

65
90
61
65
65
300
115

801-SN

Material: Zinc alloy

Function: Single handle
Double Handle
Dummy Handle

Deadbolt: Single cylinder
Double cylinder

65
100
65
65
300
65

800-SN

05

TUBULAR KNOB

Conforms With
ANSI GRADE 3
Exceeds 250,000 cycles

Cylinders:
5-pin cylinder with nickel plated keys lock. The lock are supplied with standard 5-pin keys. The cylinder are available for master key, grand masterkey and construction key.

Door Thickness:
Standard 35 to 45mm (1-3/8 to 1-3/4").

Backset:
The standard adjustable backset 60mm or 70mm (2-3/4").

ANSI GRADE 3

TUBULAR KNOB

Adjustable latch with 2-3/8 to 2-3/4(60mm to 70mm) backset. Mortise lock, drive in latch and 4-way are all available

Two style rosette(square & round)available as below where indicated, steel mounting plate hold lock firmly in place stainless or brass roses

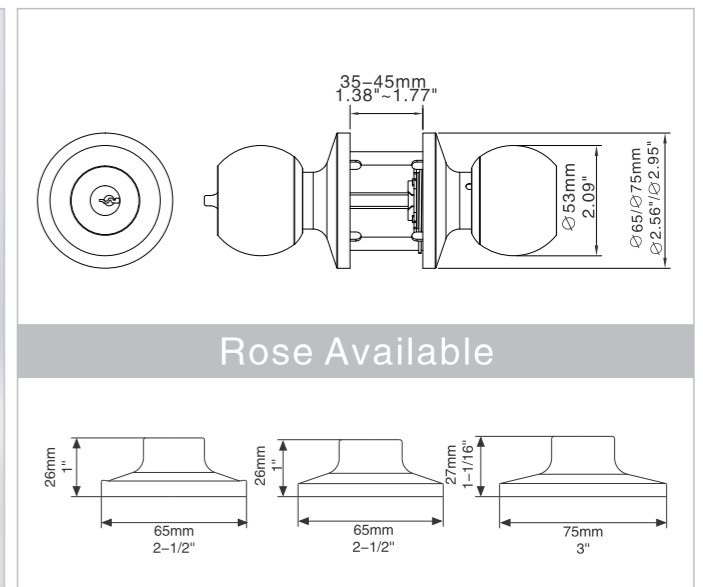
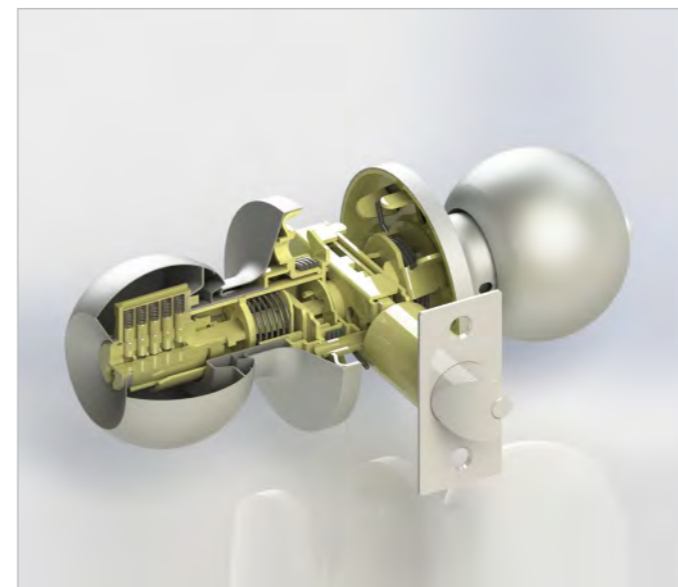
Two piece knob for better security cylinder knob removable for rekeying or replacement

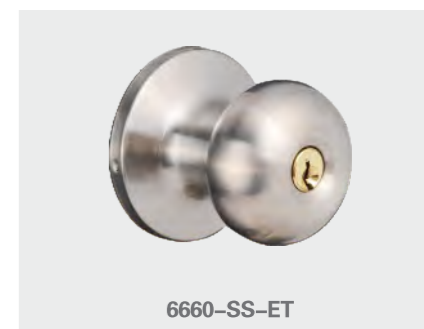
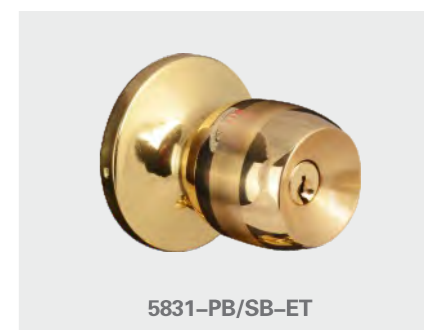
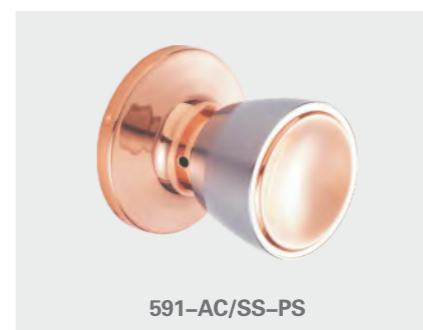
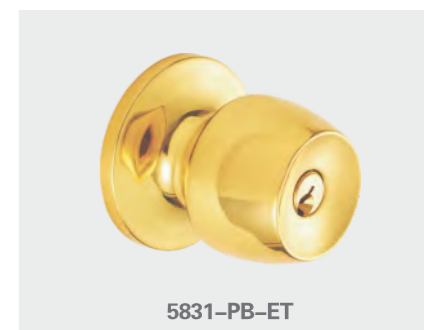
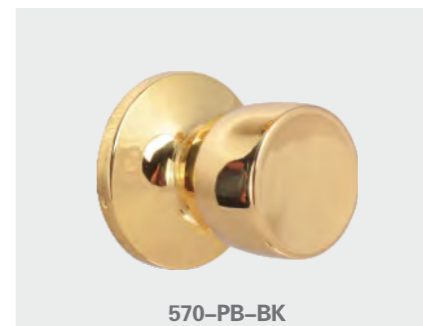
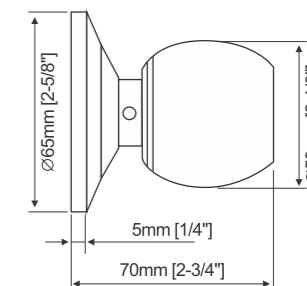
Solid column security bolt to provide anti-sawing protection
Solid stainless steel latch bolt available for high security

5 pins pick resistant brass cylinder, brass key nickel plated
Can be construction keyed and mater keyed as required.

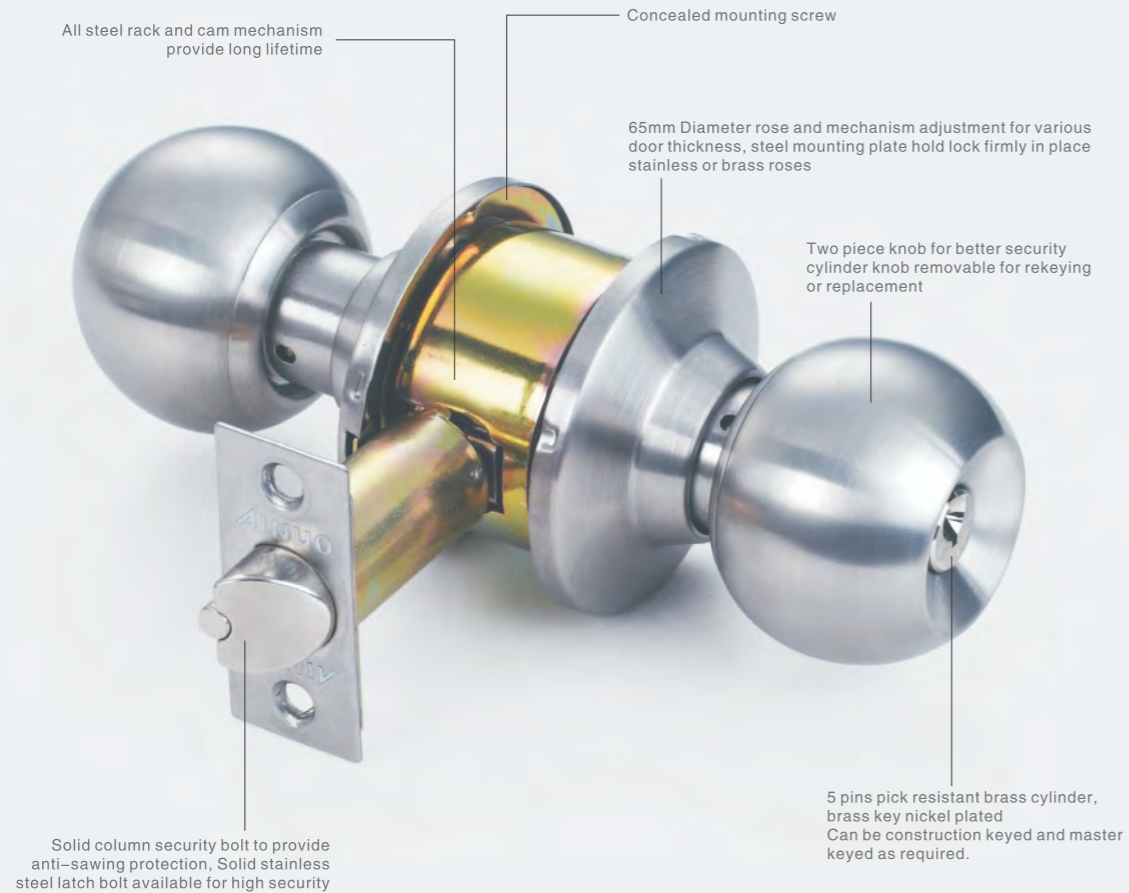
Conforms with ANSI Grade 3
Exceeds 250,000 cycles

F710-MB-ET

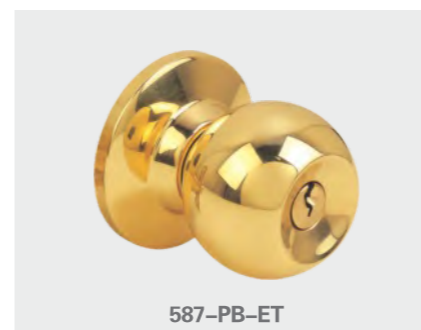




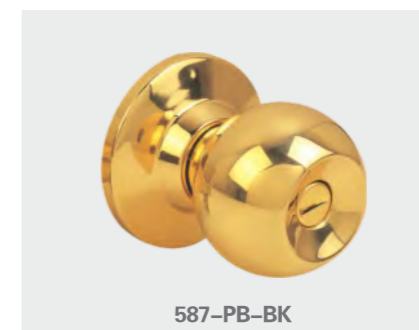
Conforms with ANSI Grade 3
Exceeds 250,000 cycles



587-SS-ET



587-PB-ET



587-PB-BK



587-SS-PS



578-AC-ET



578-AC-BK



578-AC-PS



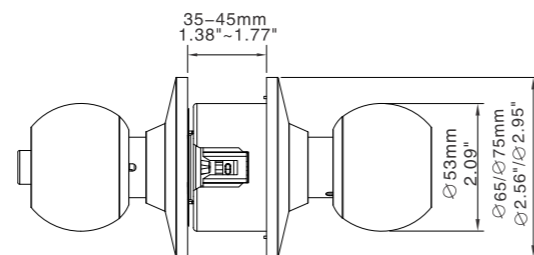
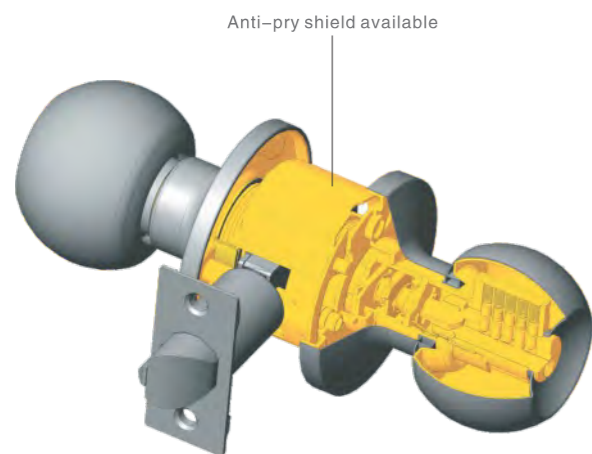
570-SS-ET



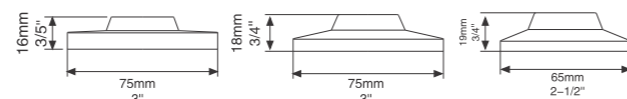
571-SS-ET

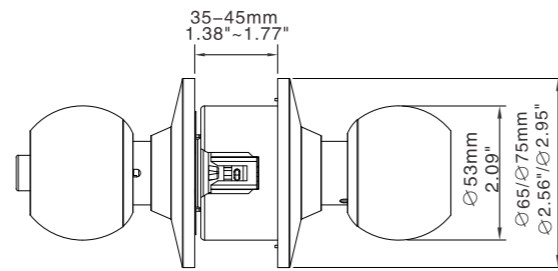


567-SS-ET



Rose Available





563-SP-ET



5791-SS-ET



5870-SS-ET



5832-PB/BS-ET



5832-SS/PS-ET



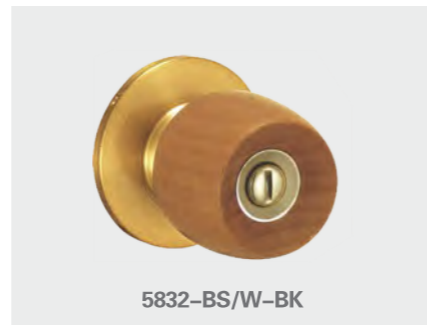
5833-SS/PS-ET



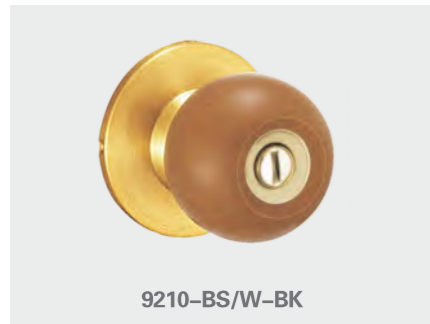
5732-SS/PS-ET



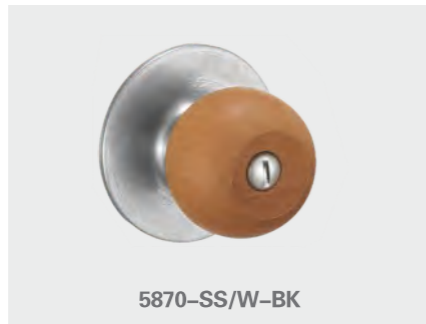
5733-SS/PS-ET



5832-BS/W-BK



9210-BS/W-BK



5870-SS/W-BK



5870-AC/GW-ET

06

CRYSTAL KNOB

Conforms With
ANSI GRADE 3
Exceeds 250,000 cycles

Door Thickness:
Standard 35 to 45mm (1-3/8 to 1-3/4").

Backset:
The standard adjustable backset 60mm or 70mm (2-3/4").



Adjustable latch with 2-3/8 to 2-3/4(60mm to 70mm) backset. Mortise lock, drive in latch and 4-way are all available

5 style rosette (square, round, wave, rectangle, frame) available as below where indicated, zinc alloy mounting plate hold lock firmly cover.

crystal knob for good look

Solid column security bolt to provide anti-sawing protection
Solid stainless steel latch bolt available for high security

Embedded structure make the crystal knob is not easy drop

T7710-MB-PS

Conforms with ANSI Grade 3
Exceeds 250,000 cycles

Adjustable latch with 2-3/8 to 2-3/4(60mm to 70mm) backset. Mortise lock, drive in latch and 4-way are all available

5 style rosette (square, round, wave, rectangle, frame) available as below where indicated, zinc alloy mounting plate hold lock firmly cover.

crystal knob for good look

Solid column security bolt to provide anti-sawing protection
Solid stainless steel latch bolt available for high security

HSO6-SN-PS

T7712-SN-BK

T7312-MB-PS

T7413-MB-BK

T7110-MB-PS

T7710-MB-PS

T7611-PC-PS

C47-MB-PS

Rose Available

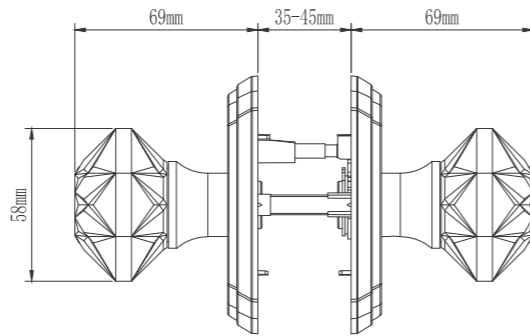
Round: $\phi 65$ [2.56"]

Rectangle: $\phi 67$ [2.64"]

Wave: $\phi 67$ [2.64"]

Frame: $\phi 71$ [2.80"]

Square: 65 [2.56"]



HW11-SN-PS



HW13-SN-BK



HW06-SN-BK



HR11-SN-PS



HF11-ORB-BK



HF13-ORB-BK



HR01-ORB-BK



HW09-SN-BK



HW04-SN-BK



HF08-SN-BK



HR18-ORB-BK



HR19-ORB-BK



HR05-ORB-BK



HS12-SN-BK



HS06-SN-BK



HS17-SN-BK



HR01-SN-BK



HR04-SN-BK



HR06-SN-BK



HR01-ORB-PS



HR18-SN-PS



HS06-SN-PS



HR20-SN-PS



HW11-SN-PS



HW06-SN-PS



HF08-SN-PS



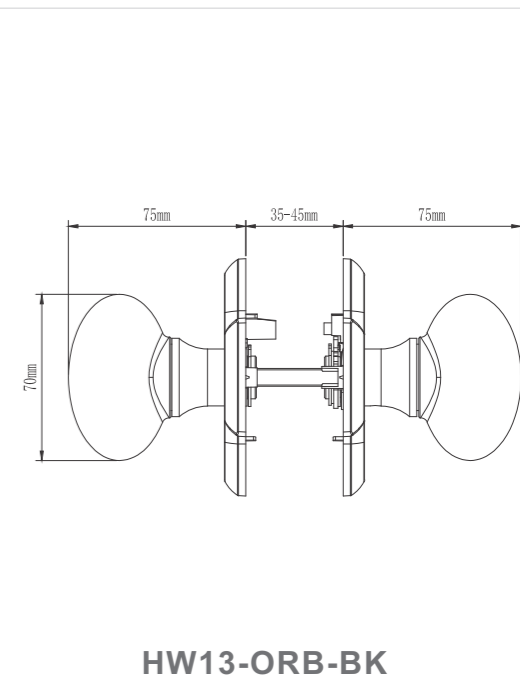
HR07-SN-PS



HW13-SN-PS



HR03-SN-PS



HW13-ORB-BK



HS12-ORB-PS



HF11-ORB-PS



HF13-ORB-PS



HR08-ORB-PS



HR10-ORB-PS



HR15-ORB-PS



HR06-ORB-PS



HR14-ORB-PS



HW04-CP-PS

07

TUBULAR LEVERSET

Conforms With
ANSI GRADE 3
Exceeds 250,000 cycles

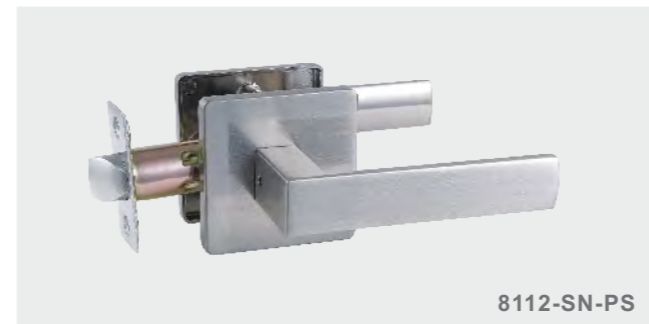
Cylinders:
5-pin cylinder with nickel plated keys lock. The lock are supplied with standard 5-pin keys. The cylinder are available for master key, grand masterkey and construction key.

Door Thickness:
Standard 35 to 45mm (1-3/8 to 1-3/4").

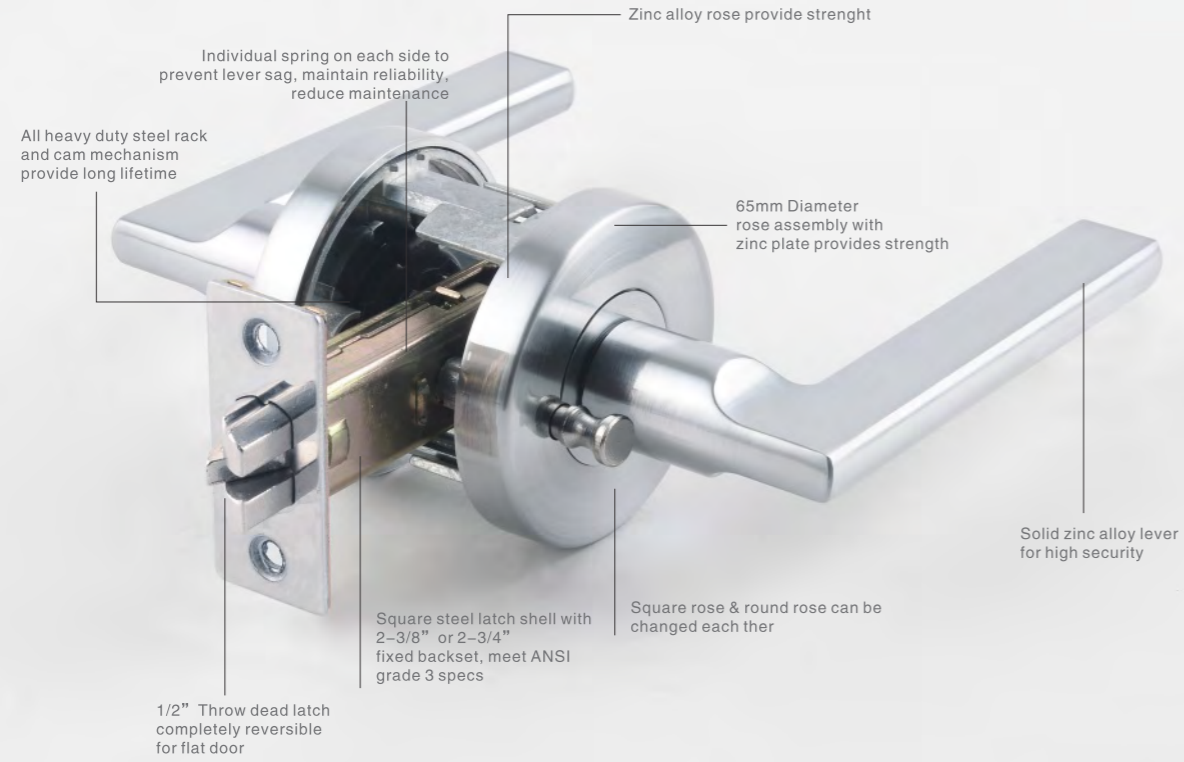
Backset:
The standard adjustable backset 60mm or 70mm (2-3/4").

ANSI GRADE 3

TUBULAR LEVERSET



Conforms with ANSI Grade 3
Exceeds 250,000 cycles



8801A-SC-BK



8801E-SC-PS



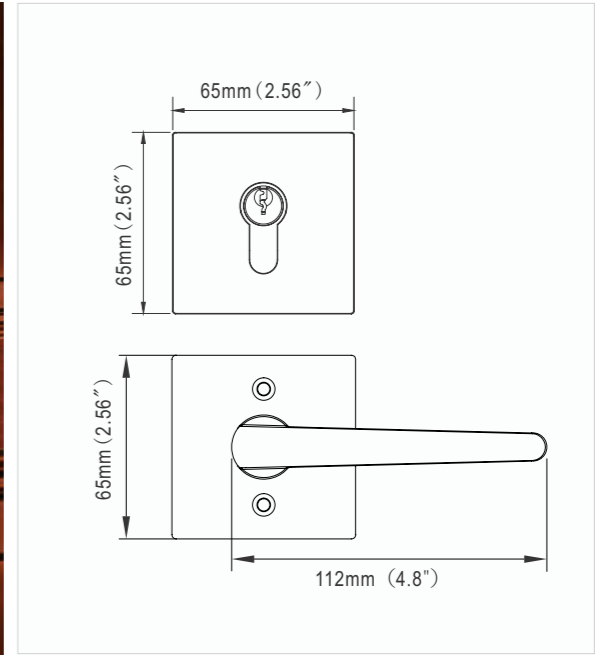
8801B-SC-BK



8801A-SC-PS



8801D-SC-PS



8801E+D104-SC



8801B+D107-SC



1506+D104-SC



8801D+D104-SC



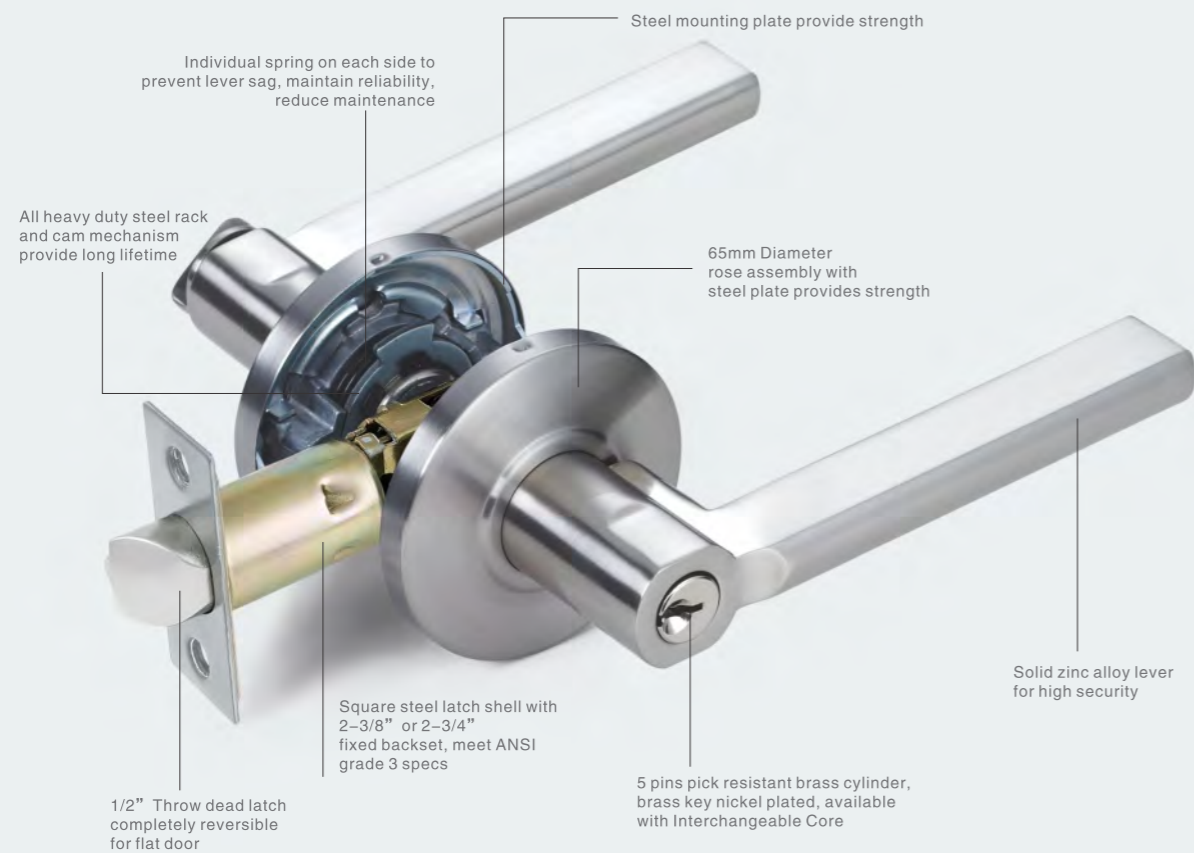
8801A+D107-SC



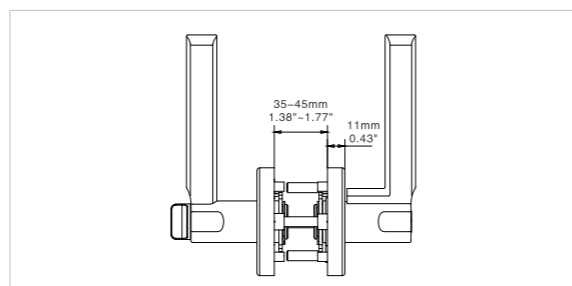
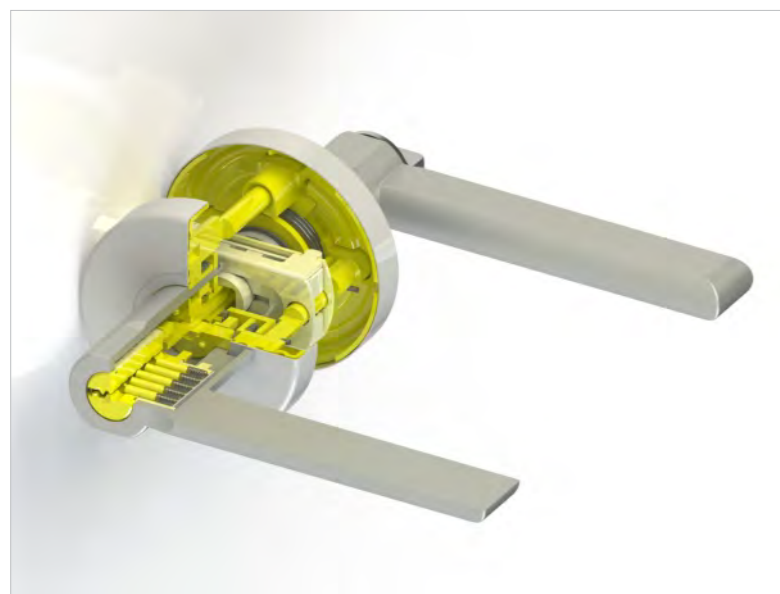
1507+D107-SC

HEAVY-DUTY TUBULAR LEVERSET

Conforms with ANSI Grade 3
Exceeds 250,000 cycles

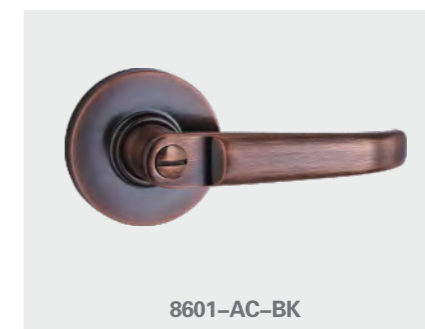
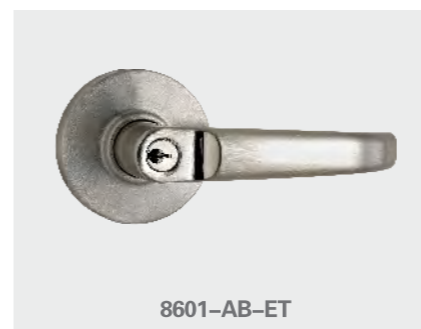
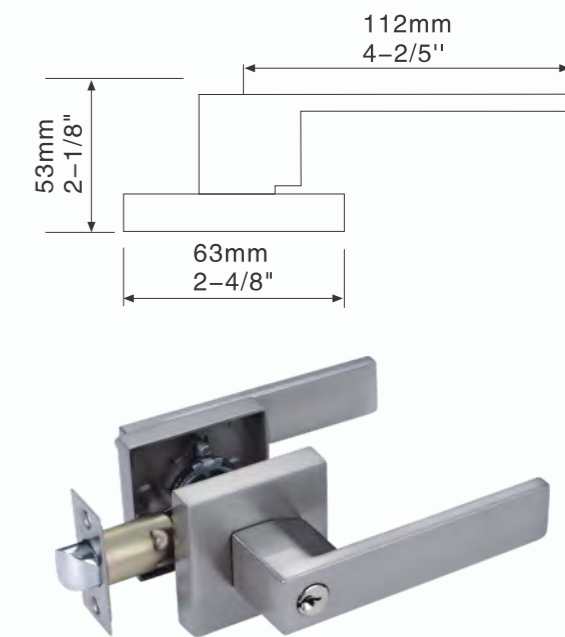


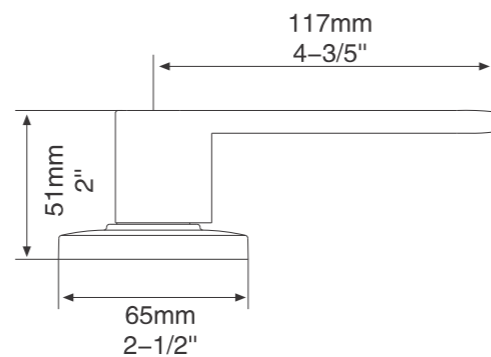
8602-SN-ET



ANSI GRADE 3

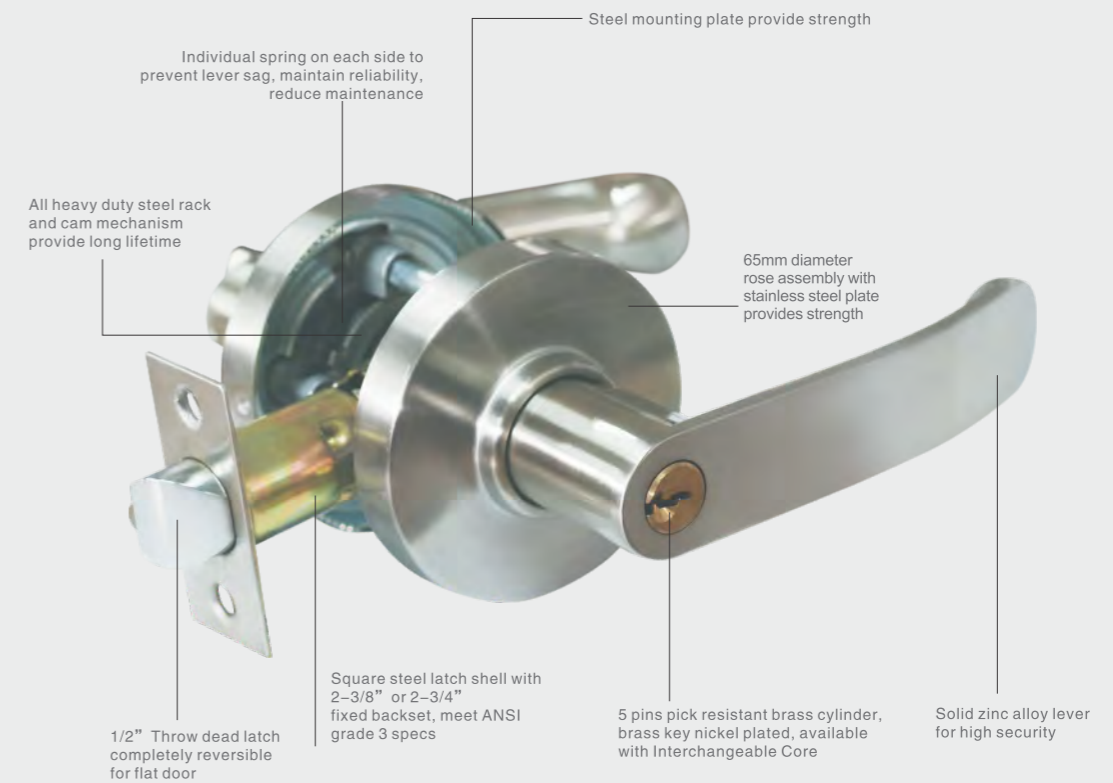
TUBULAR LEVERSET





HEAVY-DUTY TUBULAR LEVERSET

Conforms with ANSI Grade 3
Exceeds 250,000 cycles



8607 SN ET



1601-SN-ET



1602-AC-ET



1601-AC-ET



1603-SN-ET



8602-SN-ET



1604-AC-ET



A892F-SN-ET



1637-SN-BK



8606-SN-ET



8702-SN-ET



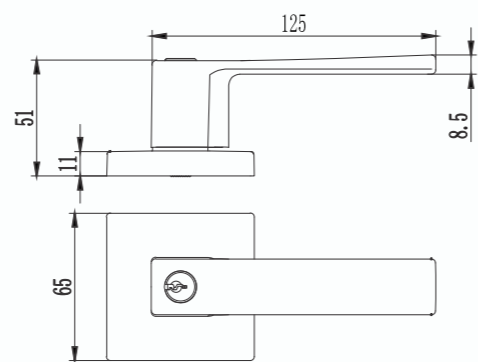
8708-SN-ET



8703-SN-ET



8709-SN-ET



8611-MB-ET



8706-SN-ET



8701-SN-ET



8704-SN-ET



8607-SN-ET



8707-SN-ET



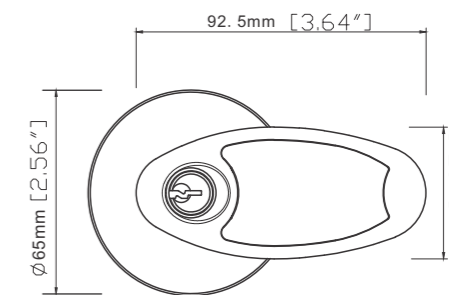
8705-SN-ET

ANSI GRADE 3

TUBULAR LEVERSET



8618-SN/MB-ET



202-MB-ET



8613-MB-ET



201-MB-ET



8612-MB-ET



8617-SN/MB-ET



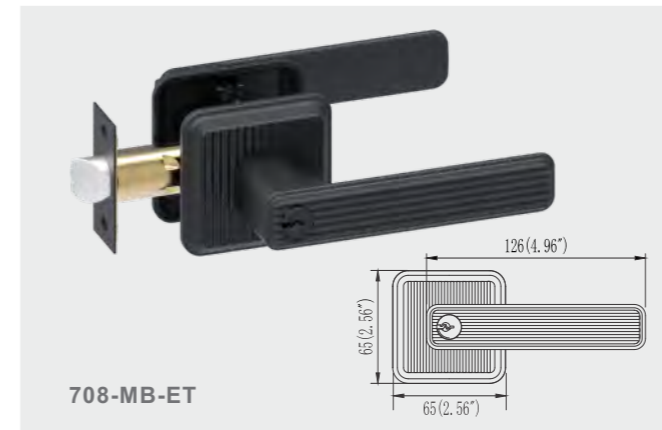
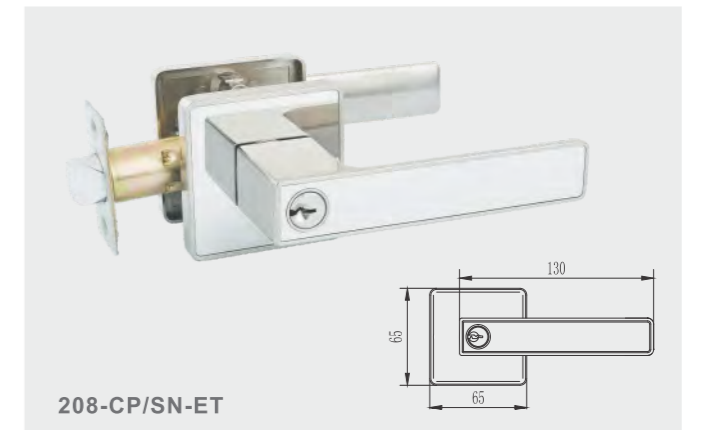
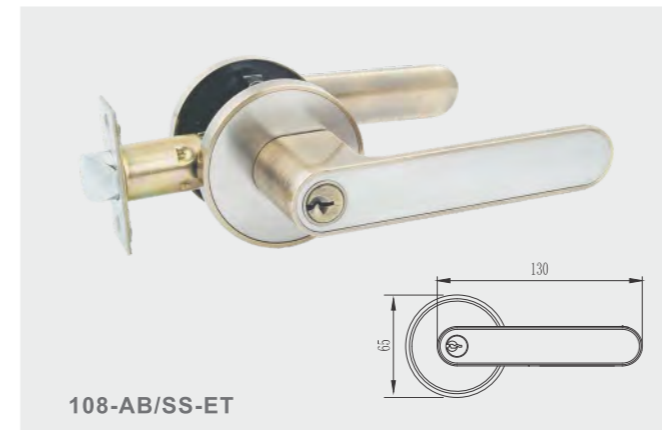
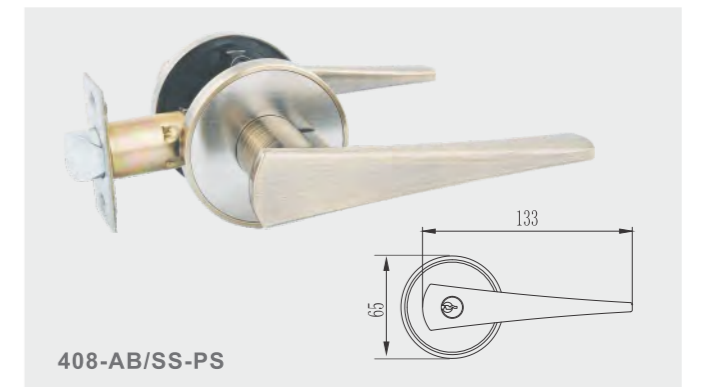
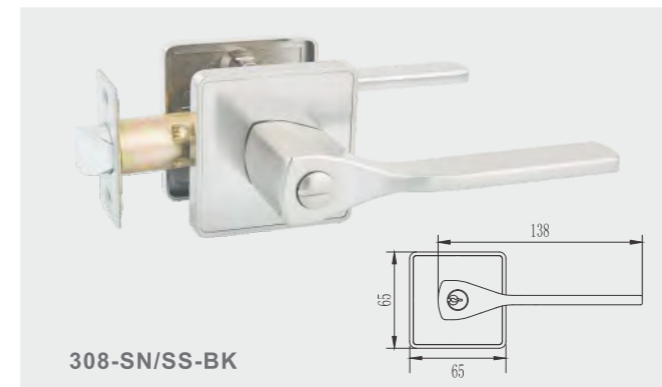
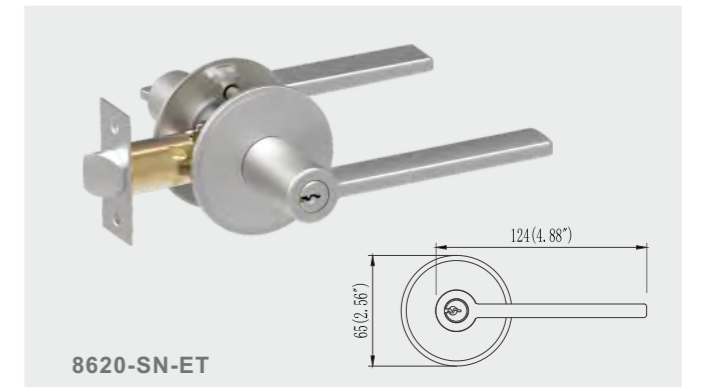
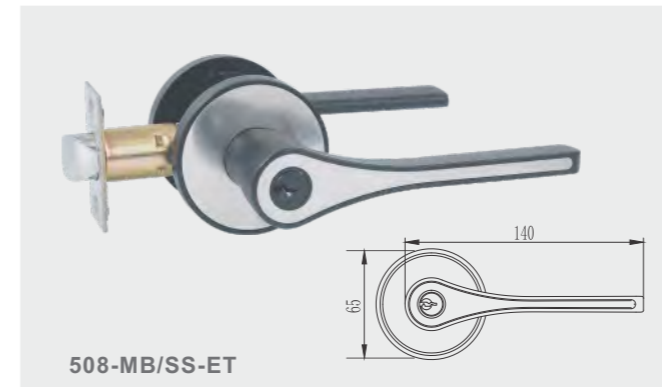
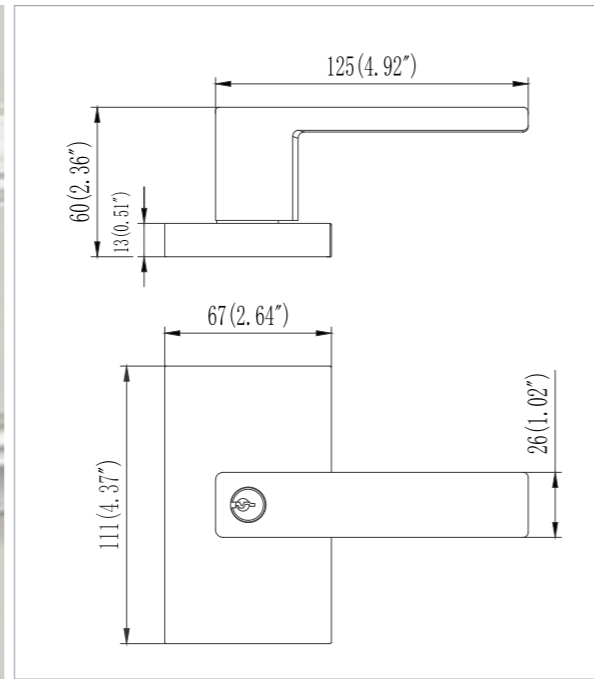
D8612-MB/CP-ET



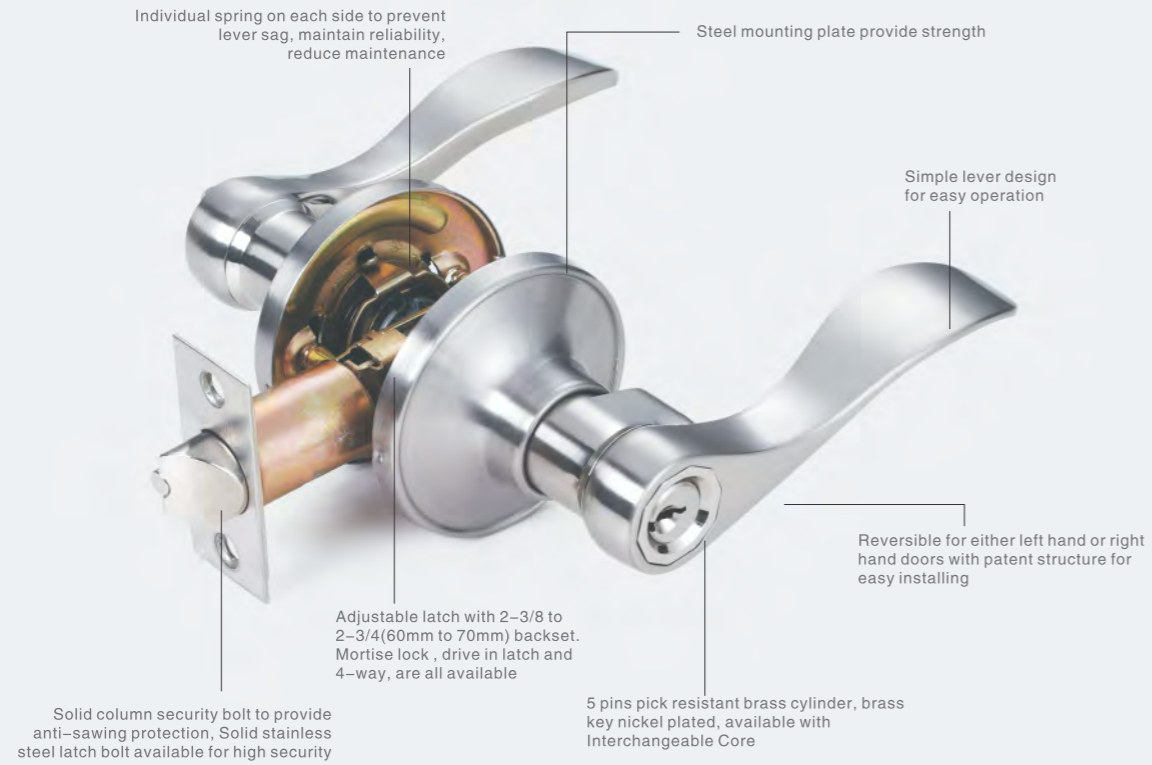
8615-SN/MB-ET



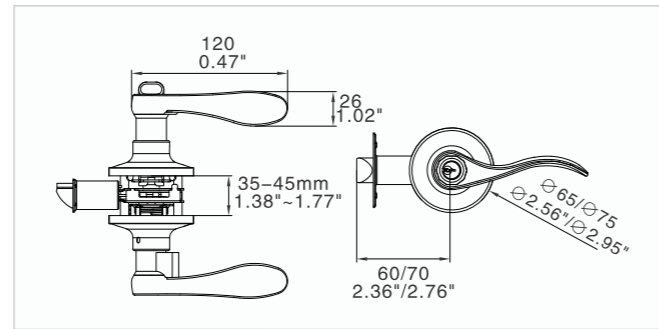
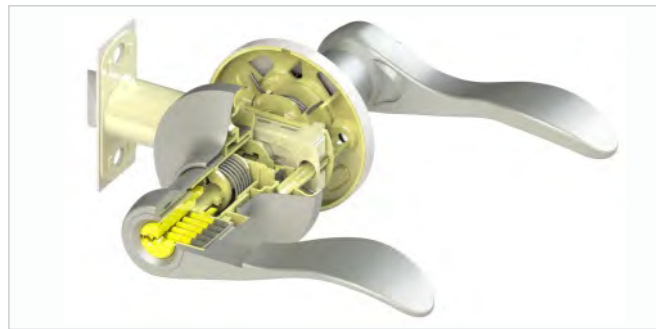
8616-MB/CP-ET



Conforms with ANSI Grade 3
Exceeds 250,000 cycles



12061-SN-ET



12061-PB-BK



12061-PB-PS



A891-MB-ET



A893-SN-ET



A892F-MB-ET



A892-MB-ET



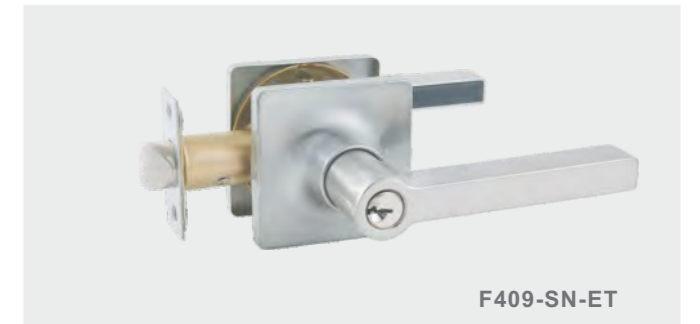
414-MB-ET



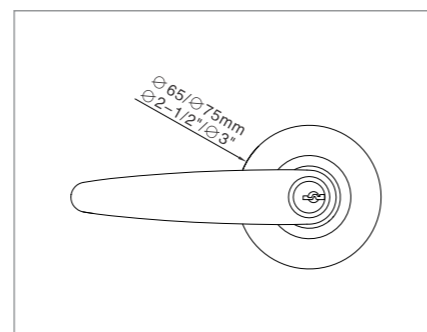
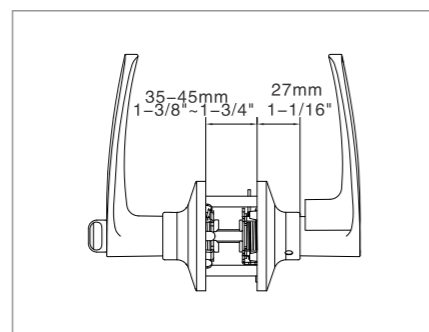
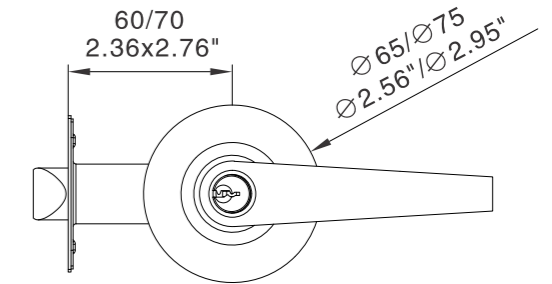
410-MB-ET



416-SN-ET



F409-SN-ET



801-CP-ET



858-SN-ET



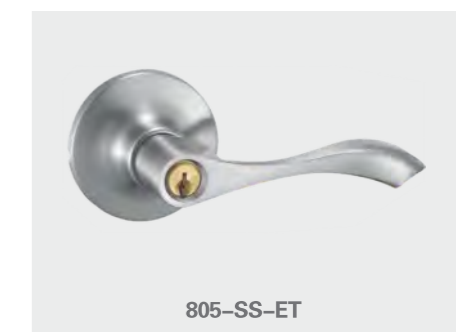
892-SN-ET



802-AC-ET



12051-SN-PS



805-SS-ET



815-AC-ET



815-SN-BK



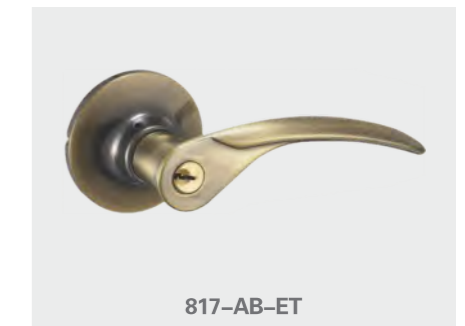
815-SN-PS



807-SP-ET



808-PB-ET



817-AB-ET



08

DEADBOLT

Conforms With
ANSI GRADE 3
Exceeds 250,000 cycles

Cylinders:
5-pin cylinder with nickel plated keys lock. The lock are supplied with standard 5-pin keys. The cylinder are available for master key, grand masterkey and construction key.

Door Thickness:
Standard 35 to 45mm (1-3/8 to 1-3/4").

Backset:
The standard adjustable backset 60mm or 70mm (2-3/4").



818-PB-PS

819-AC-ET

820-PB-ET

821-SN-ET

850A-SS-ET

851A-SN-BK

857-AB-PS

858-AB-ET

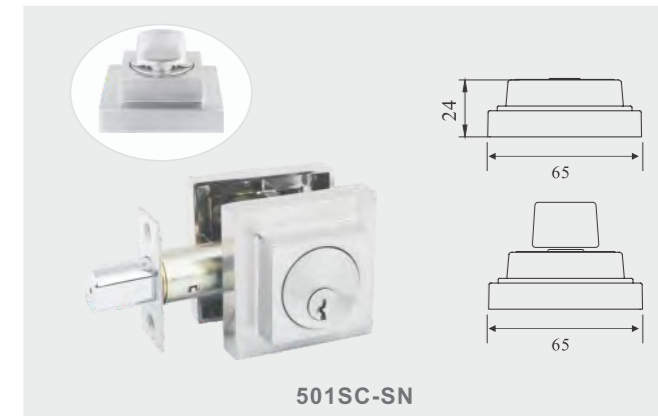
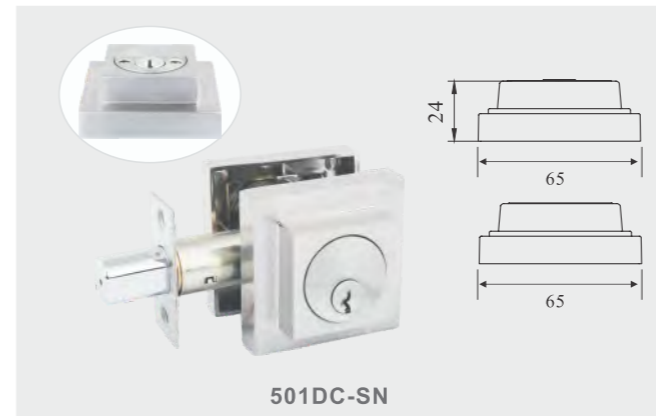
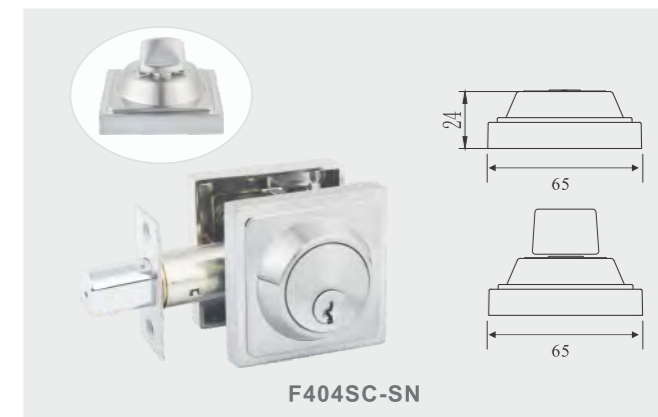
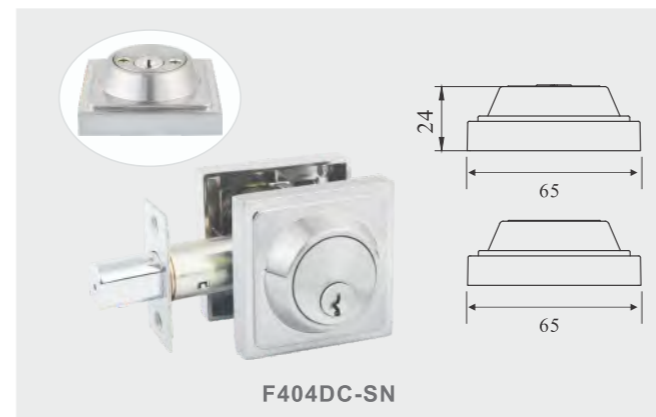
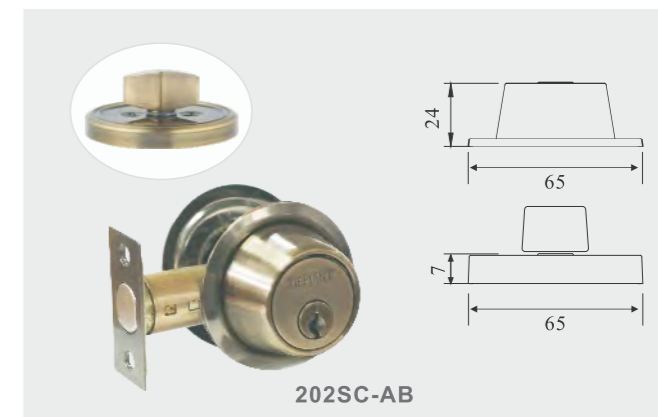
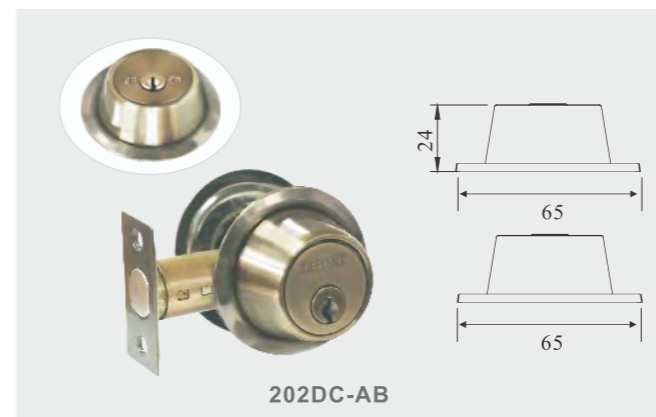
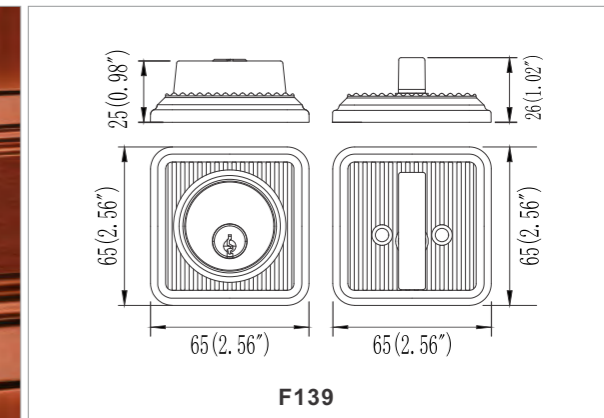
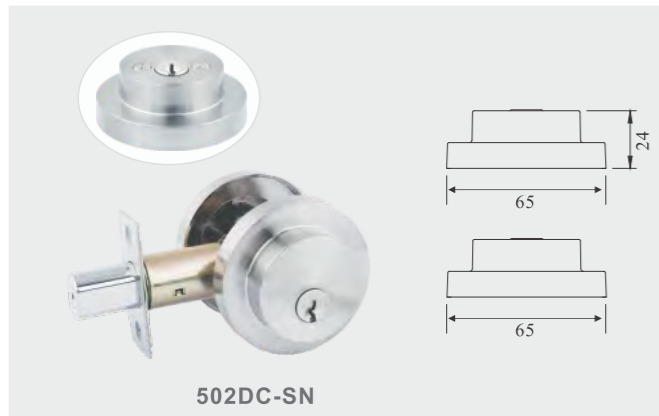
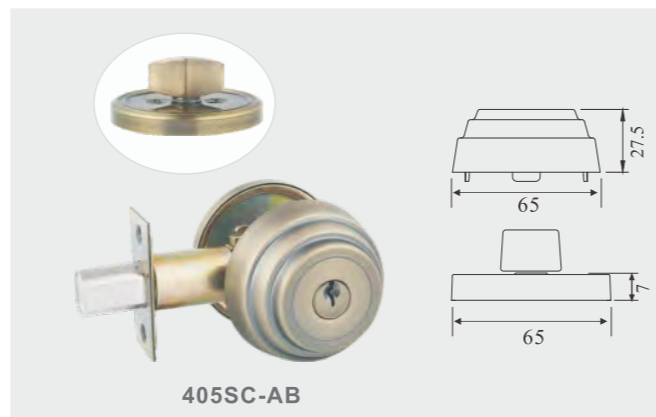
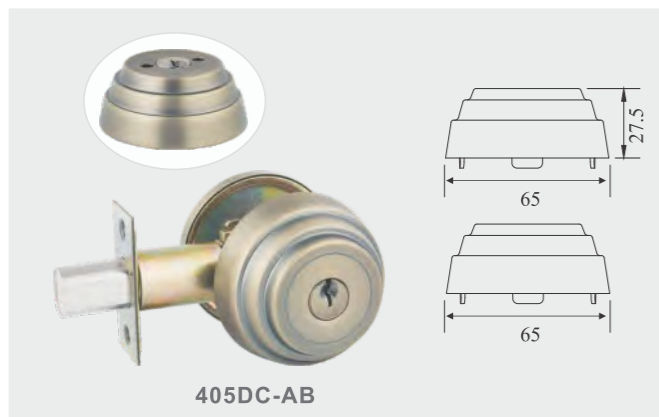
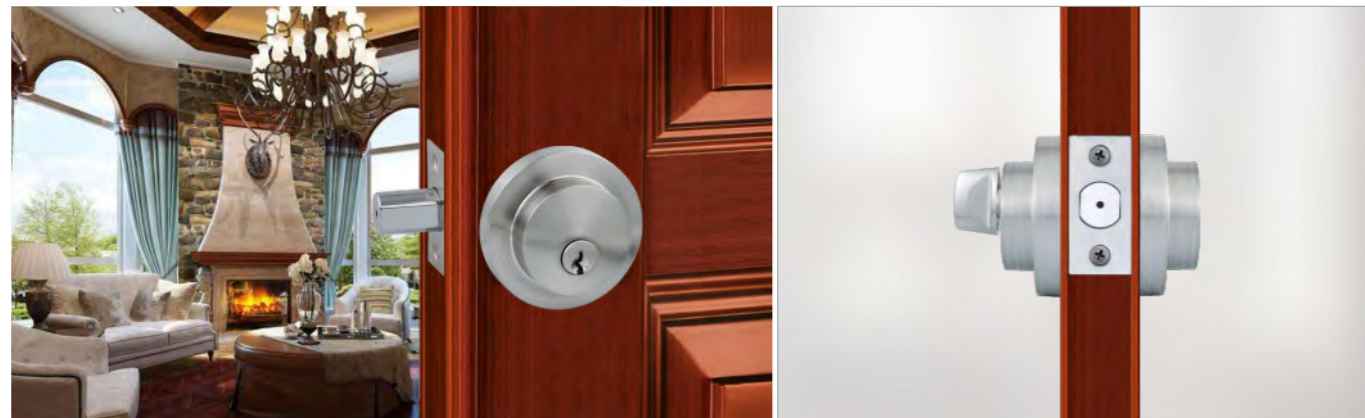
867-PB-PS

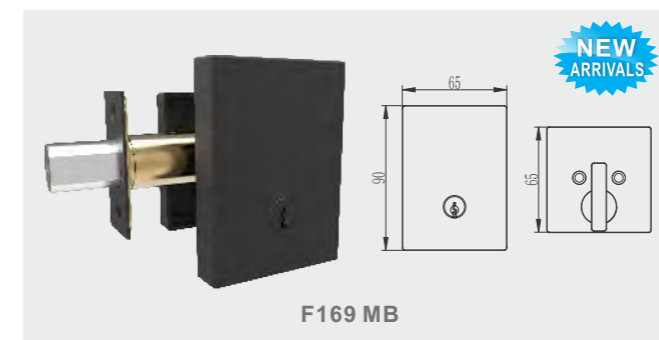
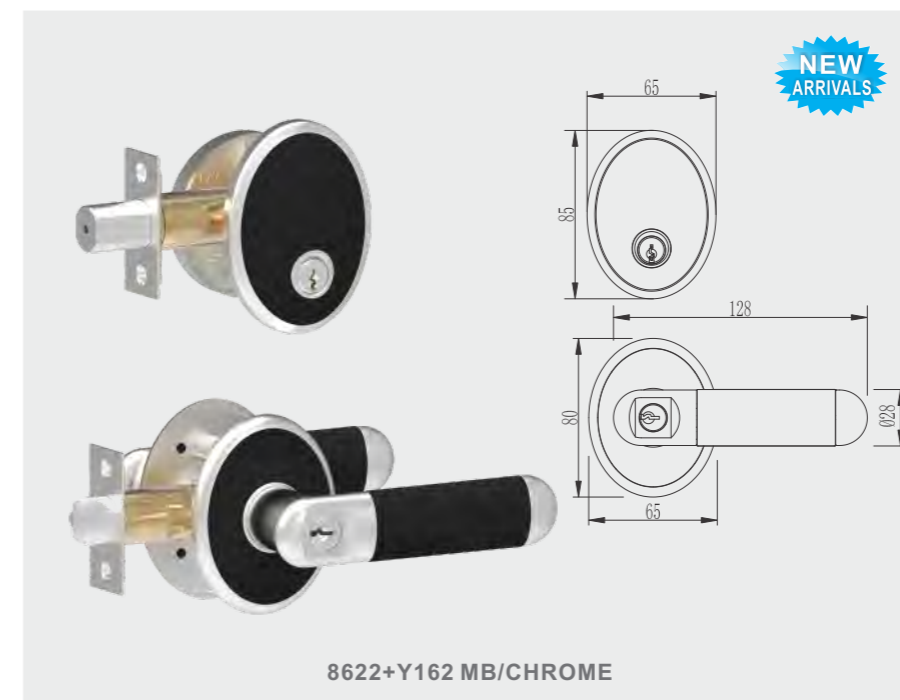
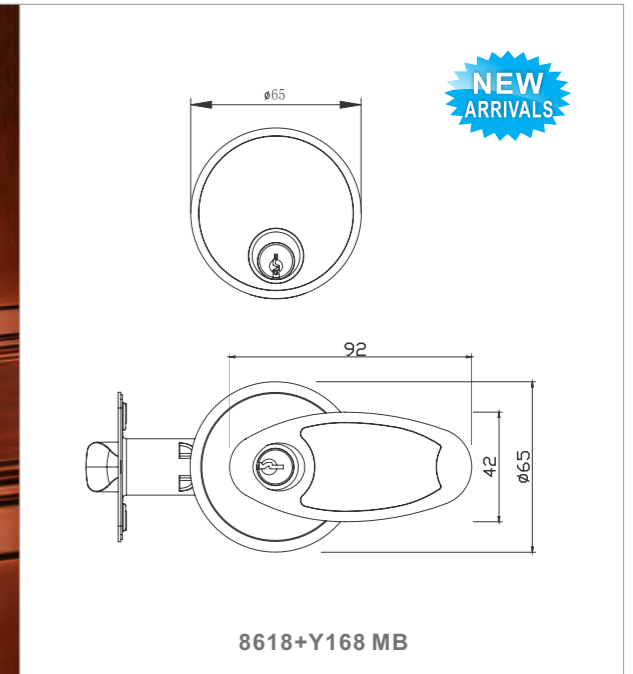
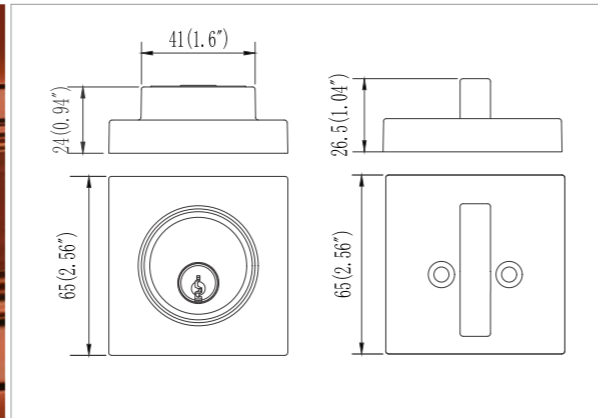
893-PB-ET

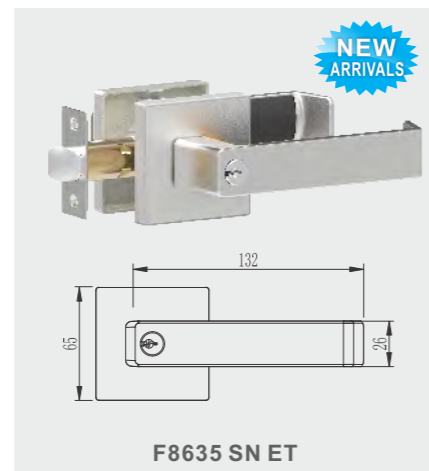
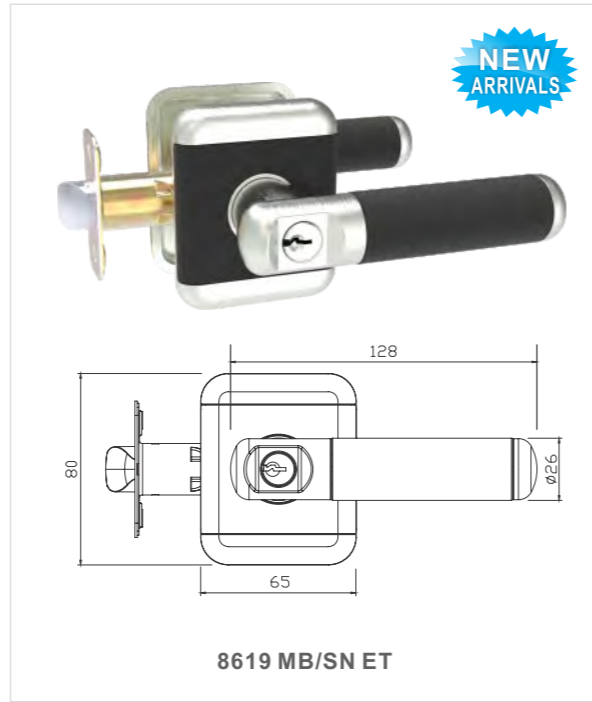
898-AB-ET

899-AB-ET









DESCRIPTION FOR KEY BLANK AND KEYWAY

 Y1 YALE keyway	 SC1 SCHLAGE keyway	 KW1 KWIKSET keyway	 WR5 WEISER keyway	 C1 computer keyway			